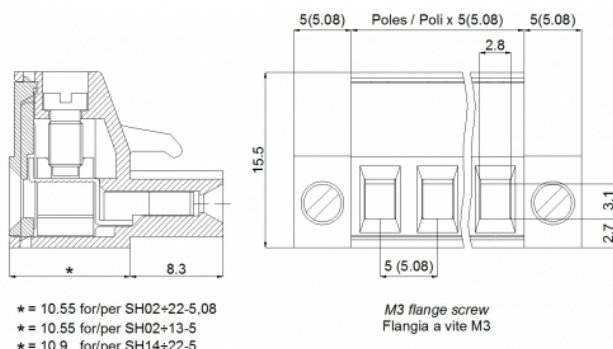


SH__-5-K



GENERAL INFORMATION

pitch	5 mm
Height	15.5 mm
Depth	18.85 mm
Dimensional class	Media
Wire section	2.5 mm ² / 14 AWG
Clamp opening size	2.8 x 3.1 mm
Wire stripping	max 8 mm
Operating temperature	-40 ÷ +130 °C

ELECTRICAL CHARACTERISTICS

Current	16 A
Voltage	250 V
impulse voltage	4 kV

MECHANICAL CHARACTERISTICS

Screw	M3
Recommended torque	0.5÷0.55 Nm / 4.5÷4.9 in.lbs

APPROVALS DATA



	EN 61984	EN 61984	UL 1059
Current	16 A	12 A	12 A factory / 12 A field
Voltage	250 V	250 V	300 V
Wire section	2.5 mm ²	2.5 mm ²	14 AWG
Torque	0.5 Nm	0.5 Nm	4.5 Lb-in
FILE	CA02.04178	40005779	E178356

MATERIALS

Housing	PA - UL 94 V0
Screw	Galvanized steel
Clamp	Nickel-plated copper alloy
Terminal	Copper alloy
SCIP Number	2b16c5e0-b81c-4d1f-839d-5472703af01d

COLOURS

Standard



On request



POLES	NAME	3D FILE
02	SH02-5-K	File available
03	SH03-5-K	File not available for this product
04	SH04-5-K	File not available for this product
05	SH05-5-K	File not available for this product
06	SH06-5-K	File available
07	SH07-5-K	File not available for this product
08	SH08-5-K	File not available for this product
09	SH09-5-K	File not available for this product
10	SH10-5-K	File not available for this product
11	SH11-5-K	File not available for this product
12	SH12-5-K	File not available for this product
13	SH13-5-K	File not available for this product
14	SH14-5-K	File not available for this product
15	SH15-5-K	File not available for this product
16	SH16-5-K	File not available for this product
17	SH17-5-K	File not available for this product
18	SH18-5-K	File not available for this product
19	SH19-5-K	File not available for this product
20	SH20-5-K	File not available for this product
21	SH21-5-K	File not available for this product
22	SH22-5-K	File not available for this product