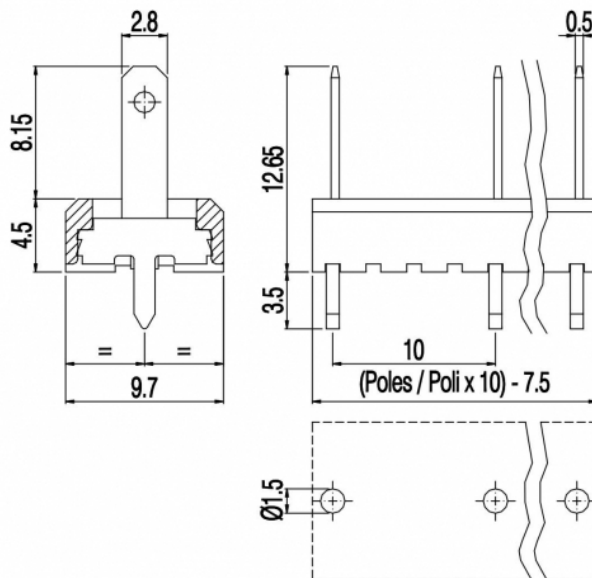
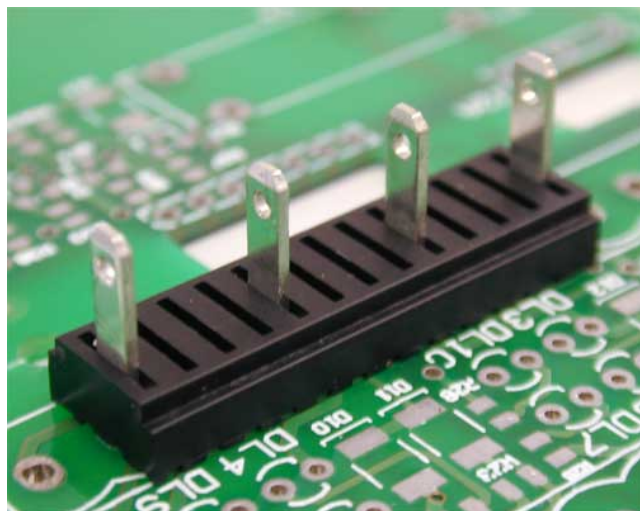


# PVSF\_\_-10-V-S25-1F



## GENERAL INFORMATION

pitch	10 mm
Height	12.65 mm
Depth	9.7 mm
Dimensional class	n/a
Wire section	-
Clamp opening size	-
Wire stripping	-
Operating temperature	-40 ÷ +130 °C

## ELECTRICAL CHARACTERISTICS

Current	17,5 A
Voltage	630 V
impulse voltage	6 kV

## MECHANICAL CHARACTERISTICS

Screw	-
Recommended torque	-

## APPROVALS DATA



Current	-	-	<b>UL 1059</b>
Voltage	-	-	10 A factory / 5 A field
Wire section	-	-	300 V
Torque	-	-	-
FILE	-	-	E178356

## MATERIALS

Housing	PA - UL 94 V0
Screw	-
Clamp	-
Terminal	-

SCIP Number

e7871ea5-2cf8-4f17-b626-38a85b04faba

**COLOURS**

Standard



On request



**POLES**

**NAME**

**3D FILE**

02	PVSF02-10-V-S25-1F	File not available for this product
03	PVSF03-10-V-S25-1F	File not available for this product
04	PVSF04-10-V-S25-1F	File not available for this product
05	PVSF05-10-V-S25-1F	File not available for this product
06	PVSF06-10-V-S25-1F	File not available for this product
07	PVSF07-10-V-S25-1F	File not available for this product
08	PVSF08-10-V-S25-1F	File not available for this product
09	PVSF09-10-V-S25-1F	File not available for this product
10	PVSF10-10-V-S25-1F	File not available for this product
11	PVSF11-10-V-S25-1F	File not available for this product
12	PVSF12-10-V-S25-1F	File not available for this product
13	PVSF13-10-V-S25-1F	File not available for this product
14	PVSF14-10-V-S25-1F	File not available for this product
15	PVSF15-10-V-S25-1F	File not available for this product