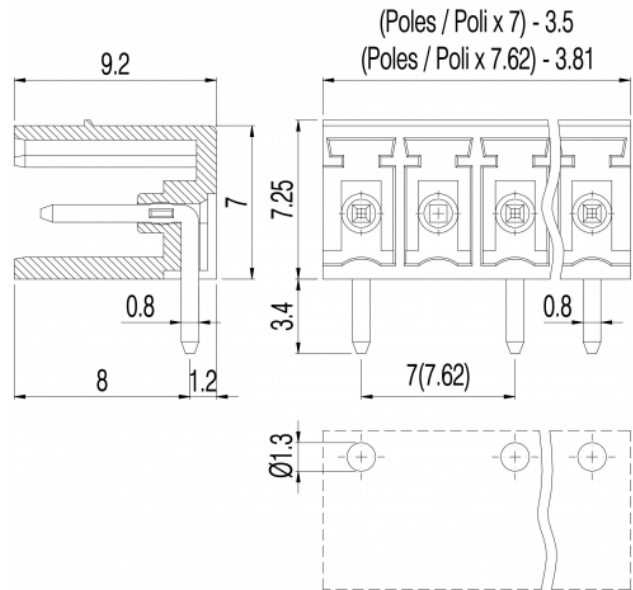
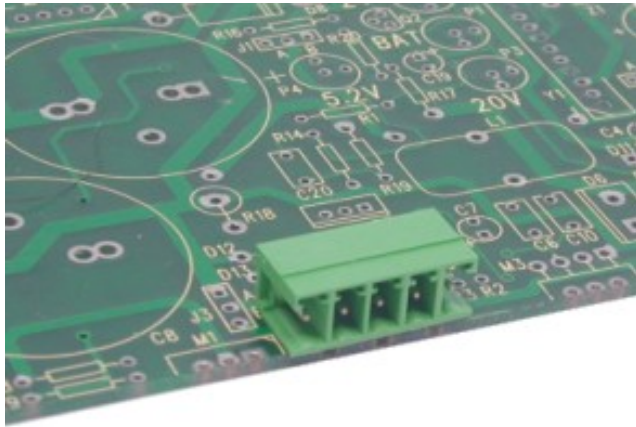


PV__-7-H



GENERAL INFORMATION

pitch	7 mm
Height	7.25 mm
Depth	9.25 mm
Dimensional class	Bassa
Wire section	-
Clamp opening size	-
Wire stripping	-
Operating temperature	-40 ÷ +130 °C

ELECTRICAL CHARACTERISTICS

Current	11 A
Voltage	500 V
impulse voltage	6 kV

MECHANICAL CHARACTERISTICS

Screw	-
Recommended torque	-

APPROVALS DATA



		EN 61984	UL 1059
Current	-	11 A	11 A factory / 11 A field
Voltage	-	400 V	300 V
Wire section	-	-	-
Torque	-	-	-
FILE	-	40048261	E178356

MATERIALS

Housing	PA - UL 94 V0
Screw	-
Clamp	-
Terminal	Tin-plated copper alloy

SCIP Number

COLOURS

Standard



On request



POLES	NAME	3D FILE
02	PV02-7-H	File not available for this product
03	PV03-7-H	File not available for this product
04	PV04-7-H	File not available for this product
05	PV05-7-H	File not available for this product
06	PV06-7-H	File not available for this product
07	PV07-7-H	File not available for this product
08	PV08-7-H	File not available for this product
09	PV09-7-H	File not available for this product
10	PV10-7-H	File not available for this product
11	PV11-7-H	File not available for this product
12	PV12-7-H	File not available for this product