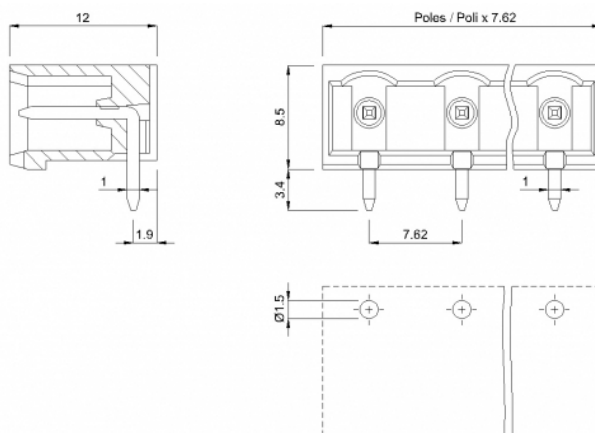
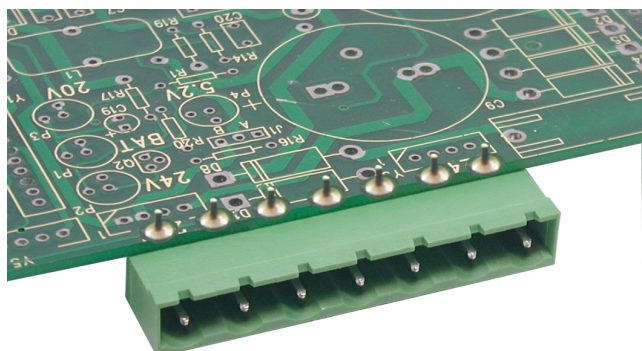


PV__-7,62-HR-P



GENERAL INFORMATION

pitch	7,62 mm
Height	8.5 mm
Depth	12.2 mm
Dimensional class	Media
Wire section	-
Clamp opening size	-
Wire stripping	-
Operating temperature	-40 ÷ +130 °C

ELECTRICAL CHARACTERISTICS

Current	16 A
Voltage	500 V
impulse voltage	-

MECHANICAL CHARACTERISTICS

Screw	-
Recommended torque	-

APPROVALS DATA



Current	-	-	UL 1059
Voltage	-	-	16 A factory / 16 A field
Wire section	-	-	300 V
Torque	-	-	-
FILE	-	-	E178356

MATERIALS

Housing	PA - UL 94 V0
Screw	-
Clamp	Nickel-plated copper alloy
Terminal	Tin-plated copper alloy
SCIP Number	892ed63d-670d-4367-9365-34dfcaff593c

COLOURS

Standard

On request



POLES	NAME	3D FILE
02	PV02-7,62-HR-P	File not available for this product
03	PV03-7,62-HR-P	File not available for this product
04	PV04-7,62-HR-P	File not available for this product
05	PV05-7,62-HR-P	File not available for this product
06	PV06-7,62-HR-P	File not available for this product
07	PV07-7,62-HR-P	File not available for this product
08	PV08-7,62-HR-P	File not available for this product
09	PV09-7,62-HR-P	File not available for this product
10	PV10-7,62-HR-P	File available
11	PV11-7,62-HR-P	File not available for this product
12	PV12-7,62-HR-P	File not available for this product
13	PV13-7,62-HR-P	File not available for this product
14	PV14-7,62-HR-P	File not available for this product
15	PV15-7,62-HR-P	File not available for this product
16	PV16-7,62-HR-P	File not available for this product