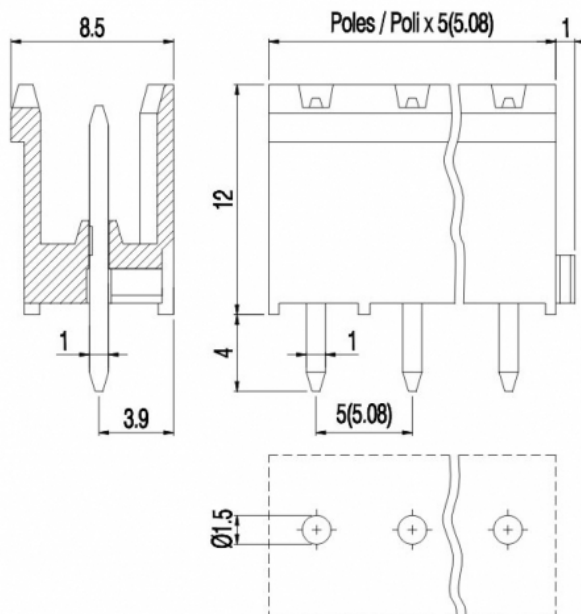
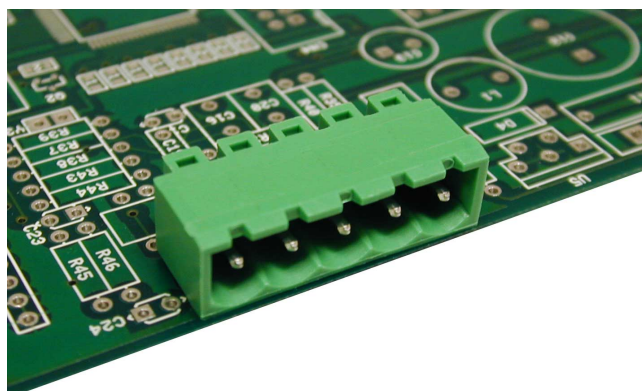


# PV\_\_-5-V-M



## GENERAL INFORMATION

pitch	5 mm
Height	12 mm
Depth	8.5 mm
Dimensional class	Media
Wire section	-
Clamp opening size	-
Wire stripping	-
Operating temperature	-40 ÷ +130 °C

## ELECTRICAL CHARACTERISTICS

Current	16 A
Voltage	250 V
impulse voltage	4 kV

## MECHANICAL CHARACTERISTICS

Screw	-
Recommended torque	-

## APPROVALS DATA



	<b>EN 61984</b>	<b>EN 61984</b>	<b>UL 1059</b>
Current	16 A	12 A	16 A factory / 16 A field
Voltage	250 V	250 V	300 V
Wire section	-	-	-
Torque	-	-	-
FILE	CA02.04178	40005779	E178356

## MATERIALS

Housing	PA - UL 94 V0
Screw	-

Clamp  
Terminal  
SCIP Number

-  
Tin-plated copper alloy  
892ed63d-670d-4367-9365-34dfcaff593c

**COLOURS**

Standard



On request



**POLES**

**NAME**

**3D FILE**

02  
03

PV02-5-V-M  
PV03-5-V-M

File available  
File available