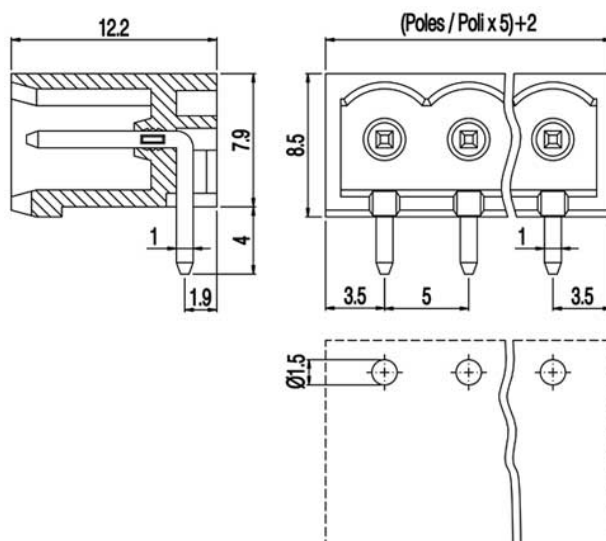
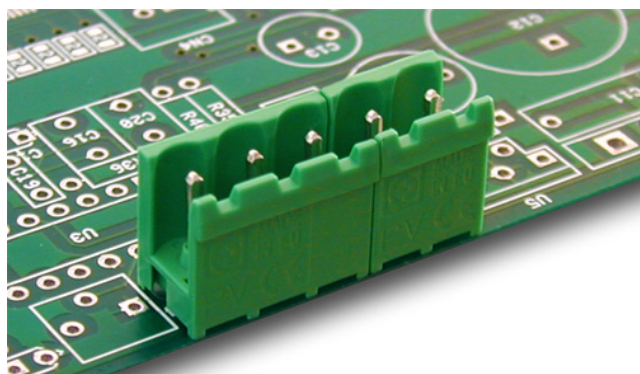


PV__-5-HR-P



GENERAL INFORMATION

pitch	5 mm
Height	8.5 mm
Depth	12.2 mm
Dimensional class	Media
Wire section	-
Clamp opening size	-
Wire stripping	-
Operating temperature	-40 ÷ +130 °C

ELECTRICAL CHARACTERISTICS

Current	16 A
Voltage	250 V
impulse voltage	4 kV

MECHANICAL CHARACTERISTICS

Screw	-
Recommended torque	-

APPROVALS DATA



	EN 61984	EN 61984	UL 1059
Current	16 A	12 A	16 A factory / 16 A field
Voltage	250 V	250 V	300 V
Wire section	-	-	-
Torque	-	-	-
FILE	CA02.04178	40005779	E178356

MATERIALS

Housing	PA - UL 94 V0
Screw	-
Clamp	-
Terminal	Tin-plated copper alloy
SCIP Number	892ed63d-670d-4367-9365-34dfcaff593c

COLOURS

Standard

On request



POLES	NAME	3D FILE
02	PV02-5-HR-P	File available
03	PV03-5-HR-P	File available
04	PV04-5-HR-P	File available
05	PV05-5-HR-P	File available
06	PV06-5-HR-P	File available
07	PV07-5-HR-P	File available
08	PV08-5-HR-P	File available
09	PV09-5-HR-P	File available
10	PV10-5-HR-P	File available
11	PV11-5-HR-P	File available
12	PV12-5-HR-P	File available
13	PV13-5-HR-P	File not available for this product
14	PV14-5-HR-P	File not available for this product
15	PV15-5-HR-P	File not available for this product
16	PV16-5-HR-P	File not available for this product
17	PV17-5-HR-P	File not available for this product
18	PV18-5-HR-P	File not available for this product
19	PV19-5-HR-P	File not available for this product
20	PV20-5-HR-P	File not available for this product
21	PV21-5-HR-P	File not available for this product
22	PV22-5-HR-P	File not available for this product
23	PV23-5-HR-P	File not available for this product
24	PV24-5-HR-P	File not available for this product