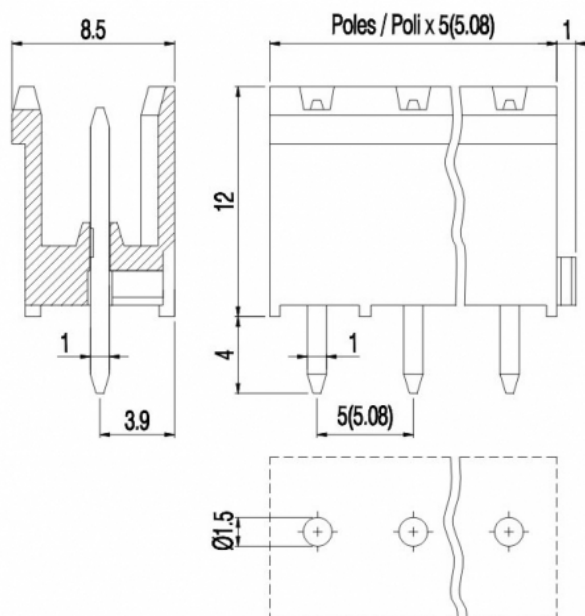
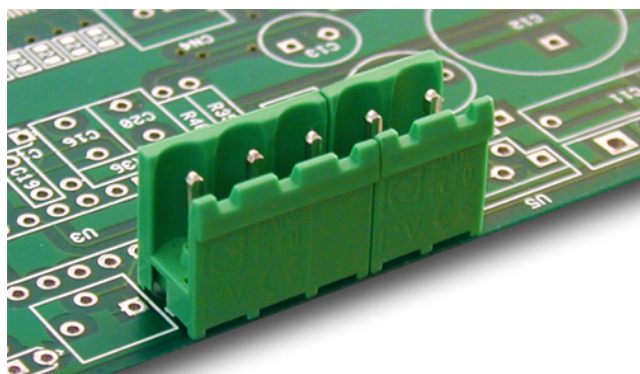


PV__-5,08-V-M



GENERAL INFORMATION

pitch	5,08 mm
Height	12 mm
Depth	8.5 mm
Dimensional class	Media
Wire section	-
Clamp opening size	-
Wire stripping	-
Operating temperature	-40 ÷ +130 °C

ELECTRICAL CHARACTERISTICS

Current	16 A
Voltage	250 V
impulse voltage	4 kV

MECHANICAL CHARACTERISTICS

Screw	-
Recommended torque	-

APPROVALS DATA



	EN 61984	EN 61984	UL 1059
Current	16 A	12 A	16 A factory / 16 A field
Voltage	250 V	250 V	300 V
Wire section	-	-	-
Torque	-	-	-
FILE	CA02.04178	40005779	E178356

MATERIALS

Housing	PA - UL 94 V0
Screw	-

Clamp
Terminal
SCIP Number

-
Tin-plated copper alloy
892ed63d-670d-4367-9365-34dfcaff593c

COLOURS

Standard

On request



POLES

NAME

3D FILE

02	PV02-5,08-V-M	File not available for this product
03	PV03-5,08-V-M	File not available for this product