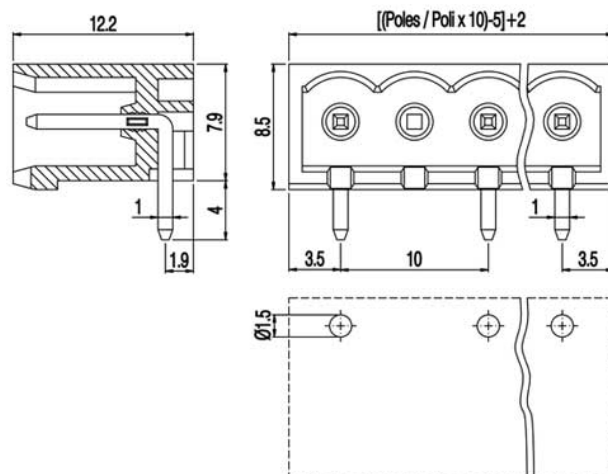
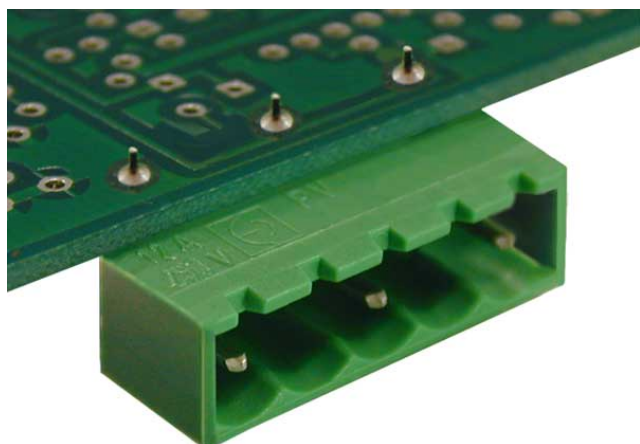


# PV\_\_-10-HR-P



### GENERAL INFORMATION

|                       |               |
|-----------------------|---------------|
| pitch                 | 10 mm         |
| Height                | 8.5 mm        |
| Depth                 | 12.2 mm       |
| Dimensional class     | Media         |
| Wire section          | -             |
| Clamp opening size    | -             |
| Wire stripping        | -             |
| Operating temperature | -40 ÷ +130 °C |

### ELECTRICAL CHARACTERISTICS

|                 |       |
|-----------------|-------|
| Current         | 15 A  |
| Voltage         | 500 V |
| impulse voltage | 6 kV  |

### MECHANICAL CHARACTERISTICS

|                    |   |
|--------------------|---|
| Screw              | - |
| Recommended torque | - |

### APPROVALS DATA



|              | EN 60998-1 | EN 61984 | UL 1059                   |
|--------------|------------|----------|---------------------------|
| Current      | 15 A       | 15 A     | 12 A factory / 12 A field |
| Voltage      | 500 V      | 500 V    | 600 V                     |
| Wire section | -          | -        | -                         |
| Torque       | -          | -        | -                         |
| FILE         | CA02.04178 | 40005779 | E178356                   |

### MATERIALS

|          |                         |
|----------|-------------------------|
| Housing  | PA - UL 94 V0           |
| Screw    | -                       |
| Clamp    | -                       |
| Terminal | Tin-plated copper alloy |

### COLOURS

Standard

On request



| POLES | NAME         | 3D FILE                             |
|-------|--------------|-------------------------------------|
| 02    | PV02-10-HR-P | File not available for this product |
| 03    | PV03-10-HR-P | File not available for this product |
| 04    | PV04-10-HR-P | File not available for this product |
| 05    | PV05-10-HR-P | File not available for this product |
| 06    | PV06-10-HR-P | File not available for this product |
| 07    | PV07-10-HR-P | File not available for this product |
| 08    | PV08-10-HR-P | File not available for this product |
| 09    | PV09-10-HR-P | File not available for this product |
| 10    | PV10-10-HR-P | File not available for this product |
| 11    | PV11-10-HR-P | File not available for this product |
| 12    | PV12-10-HR-P | File not available for this product |