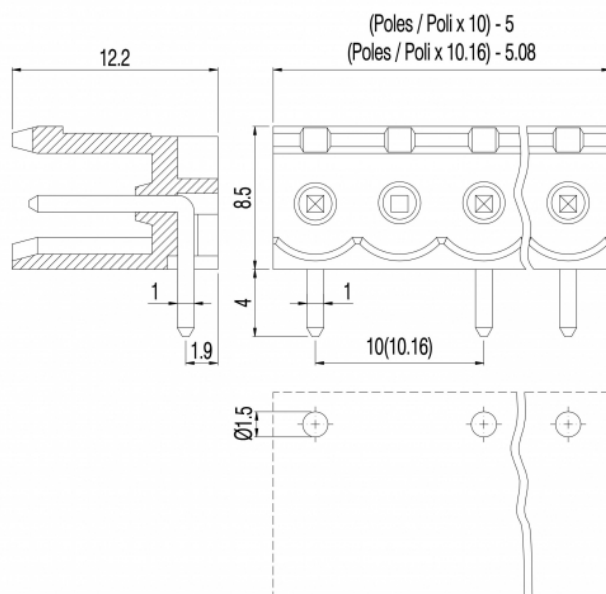
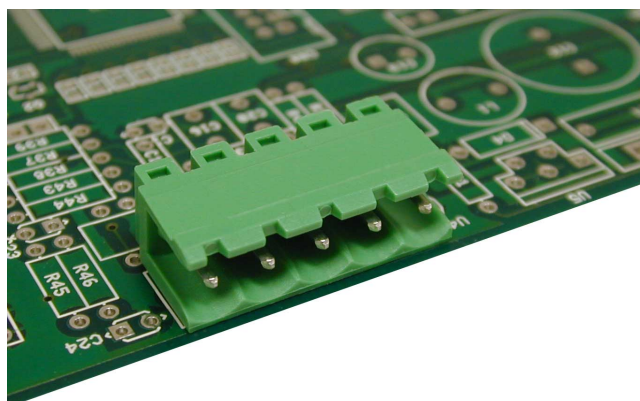


PV__-10,16-H



GENERAL INFORMATION

| | |
|-----------------------|---------------|
| pitch | 10,16 mm |
| Height | 8.5 mm |
| Depth | 12.2 mm |
| Dimensional class | Media |
| Wire section | - |
| Clamp opening size | - |
| Wire stripping | - |
| Operating temperature | -40 ÷ +130 °C |

ELECTRICAL CHARACTERISTICS

| | |
|-----------------|-------|
| Current | 15 A |
| Voltage | 500 V |
| impulse voltage | 6 kV |

MECHANICAL CHARACTERISTICS

| | |
|--------------------|---|
| Screw | - |
| Recommended torque | - |

APPROVALS DATA



| | EN 60998-1 | EN 61984 | UL 1059 |
|--------------|------------|----------|---------------------------|
| Current | 15 A | 15 A | 12 A factory / 12 A field |
| Voltage | 500 V | 500 V | 600 V |
| Wire section | - | - | - |
| Torque | - | - | - |
| FILE | CA02.04178 | 40005779 | E178356 |

MATERIALS

| | |
|---------|---------------|
| Housing | PA - UL 94 V0 |
| Screw | - |
| Clamp | - |

Terminal
 SCIP Number

Tin-plated copper alloy
 892ed63d-670d-4367-9365-34dfcaff593c

COLOURS

Standard

On request



| POLES | NAME | 3D FILE |
|-------|--------------|-------------------------------------|
| 02 | PV02-10,16-H | File not available for this product |
| 03 | PV03-10,16-H | File not available for this product |
| 04 | PV04-10,16-H | File not available for this product |
| 05 | PV05-10,16-H | File not available for this product |
| 06 | PV06-10,16-H | File not available for this product |
| 07 | PV07-10,16-H | File not available for this product |
| 08 | PV08-10,16-H | File not available for this product |
| 09 | PV09-10,16-H | File not available for this product |
| 10 | PV10-10,16-H | File not available for this product |
| 11 | PV11-10,16-H | File not available for this product |
| 12 | PV12-10,16-H | File not available for this product |