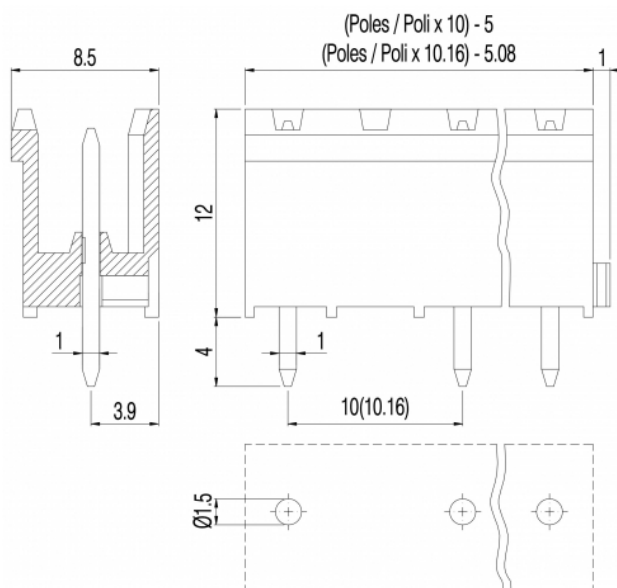
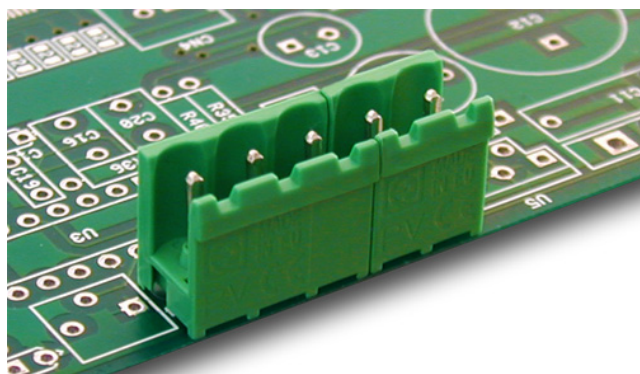


PV__-10,16-V-M



GENERAL INFORMATION

pitch	10,16 mm
Height	12 mm
Depth	8.5 mm
Dimensional class	Media
Wire section	-
Clamp opening size	-
Wire stripping	-
Operating temperature	-40 ÷ +13 °C

ELECTRICAL CHARACTERISTICS

Current	15 A
Voltage	500 V
Test Voltage	6 kVrms/60s

MECHANICAL CHARACTERISTICS

Screw	-
Recommended torque	-

APPROVALS DATA



	EN 61984	EN 61984	UL 1059
Current	15 A	15 A	12 A factory / 12 A field
Voltage	500 V	500 V	600 V
Wire section	-	-	-
Torque	-	-	-
FILE	CA02.04178	40005779	E178356

MATERIALS

Housing	PA - UL 94 V0
Screw	-
Clamp	-
Terminal	Tin-plated copper alloy

COLOURS

Standard

On request



POLES

- 01
- 02

NAME

- PV01-10,16-V-M
- PV02-10,16-V-M

3D FILE

- File not available for this product
- File not available for this product