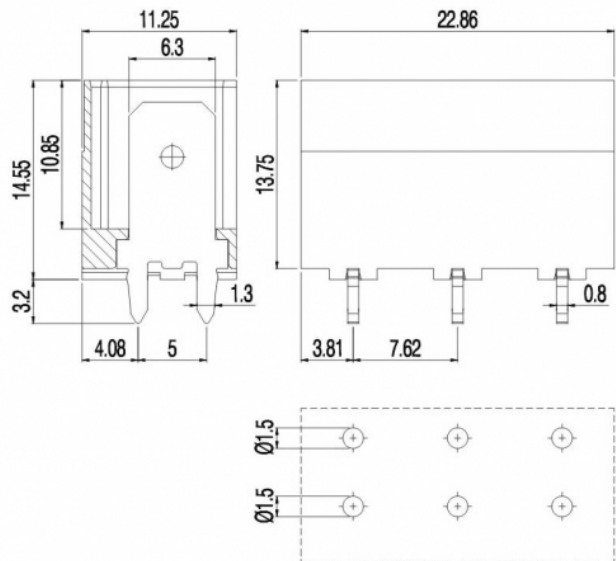
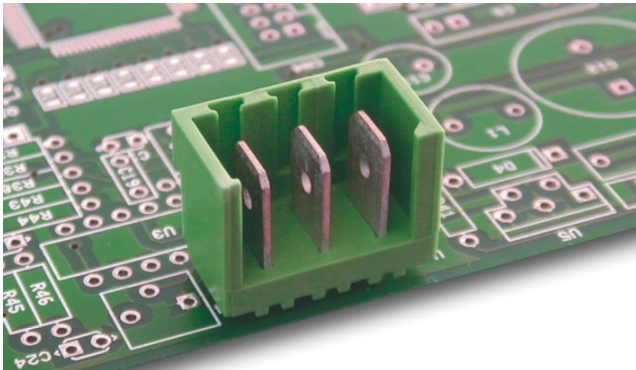


PRF__-7,62-V-D68



GENERAL INFORMATION

pitch	7,62 mm
Height	14.55 mm
Depth	11.25 mm
Dimensional class	n/a
Wire section	-
Clamp opening size	-
Wire stripping	-
Operating temperature	-40 ÷ +130 °C

ELECTRICAL CHARACTERISTICS

Current	25 A
Voltage	400 V
impulse voltage	4 kV

MECHANICAL CHARACTERISTICS

Screw	-
Recommended torque	-

APPROVALS DATA



Current	-	-	-
Voltage	-	-	-
Wire section	-	-	-
Torque	-	-	-
FILE	-	-	-

MATERIALS

Housing	PA - UL 94 V0
Screw	-
Clamp	-
Terminal	Tin-plated copper alloy

COLOURS

Standard

On request



POLES

NAME

3D FILE

02	PRF02-7,62-V-D68	File not available for this product
03	PRF03-7,62-V-D68	File not available for this product
04	PRF04-7,62-V-D68	File not available for this product