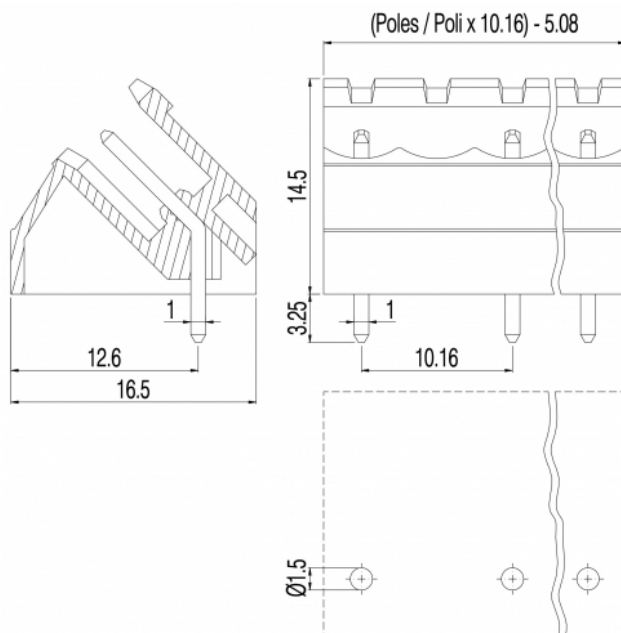


PI__-10,16-IQ



GENERAL INFORMATION

pitch	10,16 mm
Height	14.5 mm
Depth	16.5 mm
Dimensional class	Media
Wire section	-
Clamp opening size	-
Wire stripping	-
Operating temperature	-40 ÷ +130 °C

ELECTRICAL CHARACTERISTICS

Current	15 A
Voltage	500 V
impulse voltage	6 kV

MECHANICAL CHARACTERISTICS

Screw	-
Recommended torque	-

APPROVALS DATA



	EN 61984		UL 1059
Current	15 A	-	12 A factory / 12 A field
Voltage	500 V	-	600 V
Wire section	-	-	-
Torque	-	-	-
FILE	CA02.04178	-	E178356

MATERIALS

Housing	PA - UL 94 V0
Screw	-
Clamp	-

Terminal

Tin-plated copper alloy

COLOURS

Standard

On request



POLES	NAME	3D FILE
02	PI02-10,16-IQ	File not available for this product
03	PI03-10,16-IQ	File not available for this product
04	PI04-10,16-IQ	File not available for this product
05	PI05-10,16-IQ	File not available for this product
06	PI06-10,16-IQ	File not available for this product
07	PI07-10,16-IQ	File not available for this product
08	PI08-10,16-IQ	File not available for this product
09	PI09-10,16-IQ	File not available for this product
10	PI10-10,16-IQ	File not available for this product
11	PI11-10,16-IQ	File not available for this product
12	PI12-10,16-IQ	File not available for this product