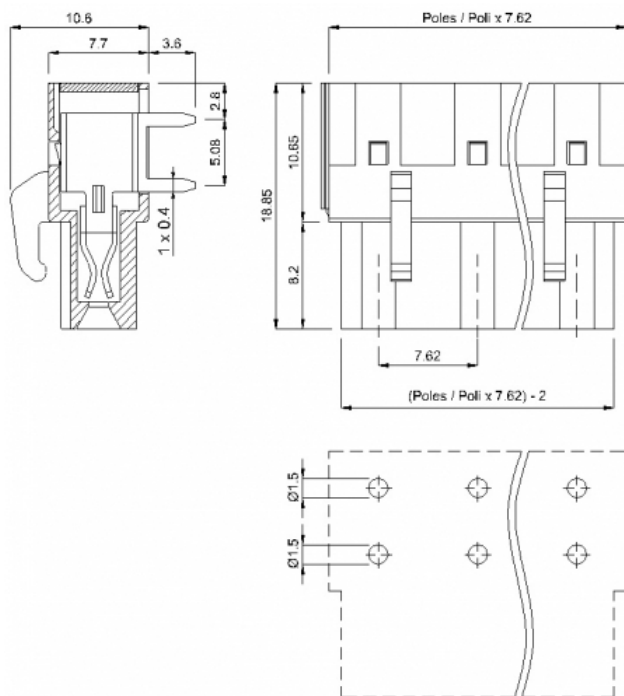
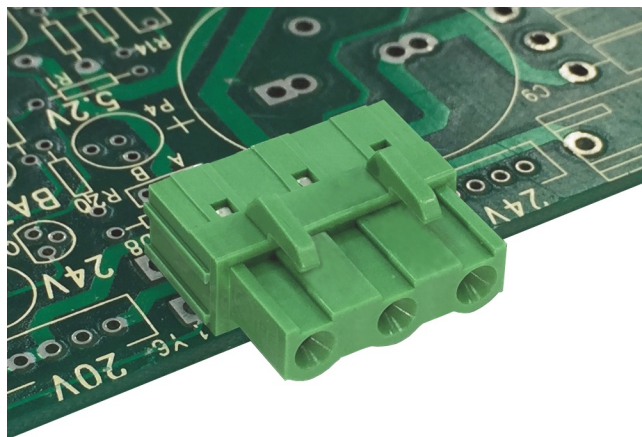


PF__-7,62-H-M



GENERAL INFORMATION

| | |
|-----------------------|---------------|
| pitch | 7,62 mm |
| Height | 18.85 mm |
| Depth | 7.7 mm |
| Dimensional class | Media |
| Wire section | - |
| Clamp opening size | - |
| Wire stripping | - |
| Operating temperature | -40 ÷ +105 °C |

ELECTRICAL CHARACTERISTICS

| | |
|-----------------|-------|
| Current | 16 A |
| Voltage | 500 V |
| impulse voltage | 6 kV |

MECHANICAL CHARACTERISTICS

| | |
|--------------------|---|
| Screw | - |
| Recommended torque | - |

APPROVALS DATA



| | | | |
|--------------|---|---|---------------------------|
| Current | - | - | UL 1059 |
| Voltage | - | - | 22 A factory / 20 A field |
| Wire section | - | - | 300 V |
| Torque | - | - | - |
| FILE | - | - | E178356 |

MATERIALS

| | |
|---------|---------------|
| Housing | PA - UL 94 V0 |
|---------|---------------|

Screw -
 Clamp -
 Terminal Tin-plated copper alloy

COLOURS

Standard



On request



| POLES | NAME | 3D FILE |
|-------|---------------|-------------------------------------|
| 02 | PF02-7,62-H-M | File not available for this product |
| 03 | PF03-7,62-H-M | File not available for this product |
| 04 | PF04-7,62-H-M | File not available for this product |
| 05 | PF05-7,62-H-M | File not available for this product |
| 06 | PF06-7,62-H-M | File not available for this product |
| 07 | PF07-7,62-H-M | File not available for this product |
| 08 | PF08-7,62-H-M | File not available for this product |