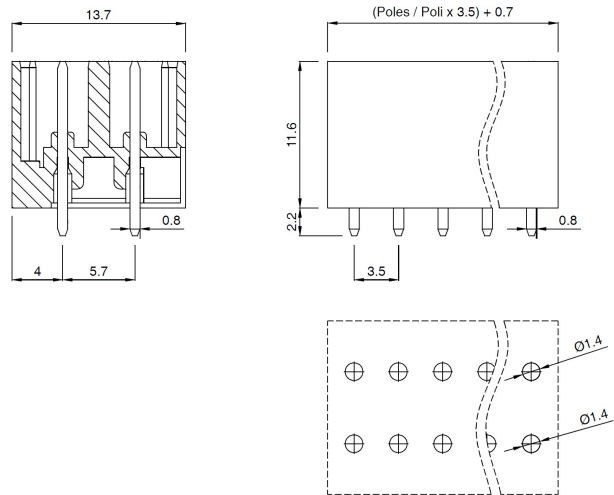
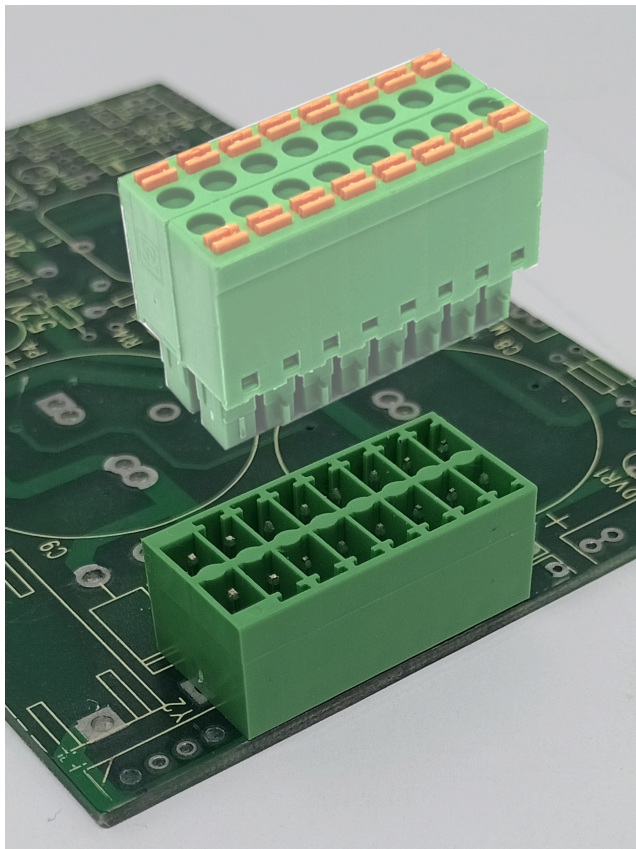


# PDV1\_\_-3,5-V-P



## GENERAL INFORMATION

pitch	3,5 mm
Height	11.6 mm
Depth	13.7 mm
Dimensional class	Media
Wire section	-
Clamp opening size	-
Wire stripping	-
Operating temperature	-40 ÷ +130 °C

## ELECTRICAL CHARACTERISTICS

Current	8 A
Voltage	160 V
impulse voltage	2.5 kV

## MECHANICAL CHARACTERISTICS

Screw	-
Recommended torque	-

## APPROVALS DATA



Current	-	-	-
Voltage	-	-	-

Wire section - - -  
 Torque - - -  
 FILE - - -

**MATERIALS**

Housing PA - UL 94 V0  
 Screw -  
 Clamp -  
 Terminal Tin-plated copper alloy

**COLOURS**

Standard



On request



POLES	NAME	3D FILE
02	PDV102-3,5-V-P	File not available for this product
03	PDV103-3,5-V-P	File not available for this product
04	PDV104-3,5-V-P	File not available for this product
05	PDV105-3,5-V-P	File not available for this product
06	PDV106-3,5-V-P	File not available for this product
07	PDV107-3,5-V-P	File not available for this product
08	PDV108-3,5-V-P	File not available for this product
09	PDV109-3,5-V-P	File not available for this product
10	PDV110-3,5-V-P	File not available for this product
11	PDV111-3,5-V-P	File not available for this product
12	PDV112-3,5-V-P	File not available for this product
13	PDV113-3,5-V-P	File not available for this product
14	PDV114-3,5-V-P	File not available for this product
15	PDV115-3,5-V-P	File not available for this product
16	PDV116-3,5-V-P	File not available for this product
17	PDV117-3,5-V-P	File not available for this product
18	PDV118-3,5-V-P	File not available for this product
19	PDV119-3,5-V-P	File not available for this product
20	PDV120-3,5-V-P	File not available for this product