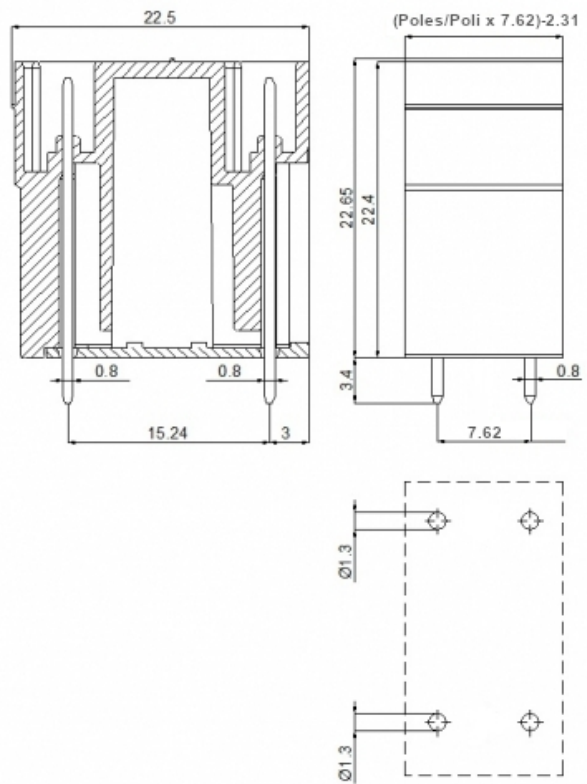
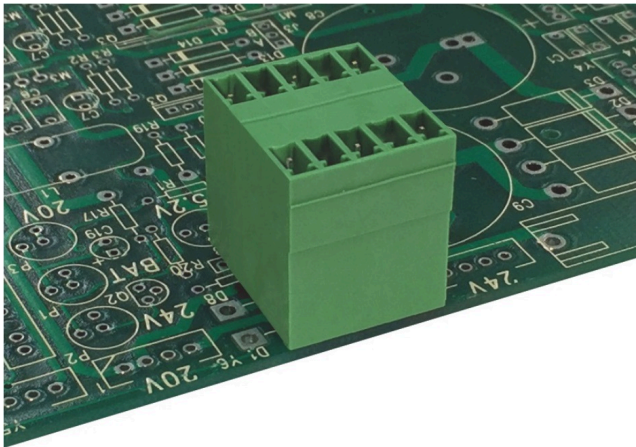


PDV__-7,62-V-P-S



GENERAL INFORMATION

pitch	7,62 mm
Height	22.65 mm
Depth	22.5 mm
Dimensional class	Media
Wire section	-
Clamp opening size	-
Wire stripping	-
Operating temperature	-40 ÷ +130 °C

ELECTRICAL CHARACTERISTICS

Current	8 A
Voltage	400 V
impulse voltage	6 kV

MECHANICAL CHARACTERISTICS

Screw	-
Recommended torque	-

APPROVALS DATA



Current	-	EN 61984	8 A	UL 1059	11 A factory / 11 A field
Voltage	-		400 V		150V (C) V
Wire section	-		-		-

Torque - - -
FILE - 40048261 E178356

MATERIALS

Housing PA - UL 94 V0
Screw -
Clamp -
Terminal Tin-plated copper alloy

COLOURS

Standard



On request



POLES

02

NAME

PDV02-7,62-V-P-S

3D FILE

File not available for this product