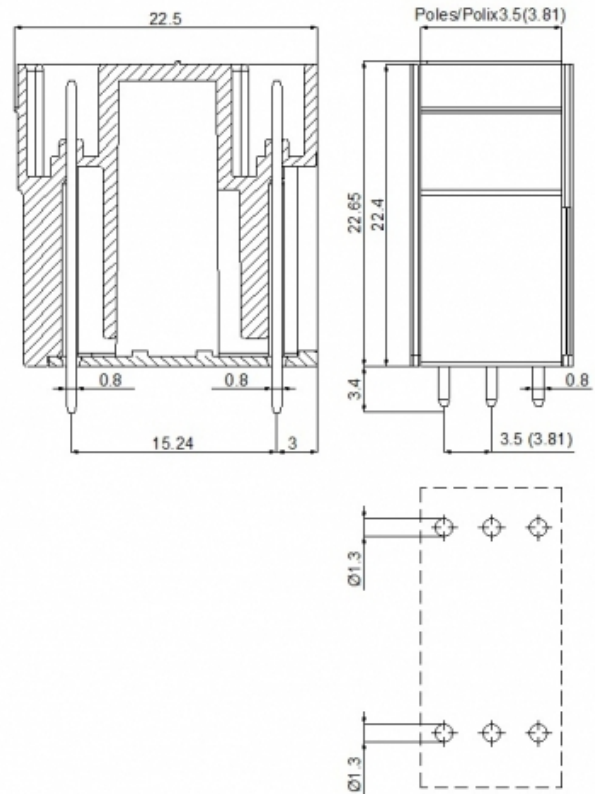
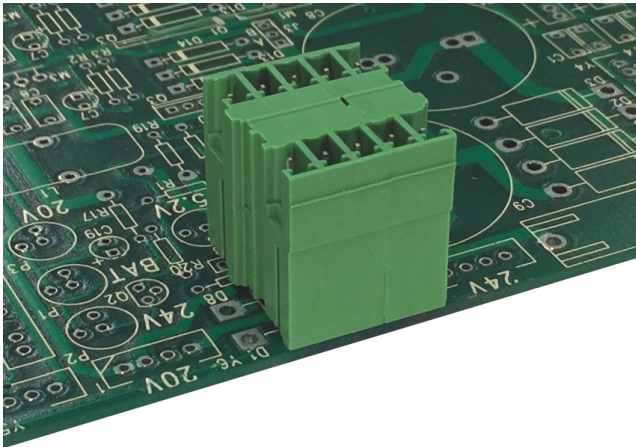


# PDV\_\_-3,81-V-M



## GENERAL INFORMATION

pitch	3,81 mm
Height	22.65 mm
Depth	22.5 mm
Dimensional class	Media
Wire section	-
Clamp opening size	-
Wire stripping	-
Operating temperature	-40 ÷ +130 °C

## ELECTRICAL CHARACTERISTICS

Current	11 A
Voltage	160 V
impulse voltage	2.5 kV

## MECHANICAL CHARACTERISTICS

Screw	-
Recommended torque	-

## APPROVALS DATA



Current  
Voltage

-  
-

**EN 61984**  
8 A  
160 V

**UL 1059**  
11 A factory / 11 A field  
300 V

Wire section - - -  
 Torque - - -  
 FILE - 40048261 E178356

**MATERIALS**

Housing PA - UL 94 V0  
 Screw -  
 Clamp -  
 Terminal Tin-plated copper alloy

**COLOURS**

Standard



On request



POLES	NAME	3D FILE
02	PDV02-3,81-V-M	File not available for this product
03	PDV03-3,81-V-M	File not available for this product