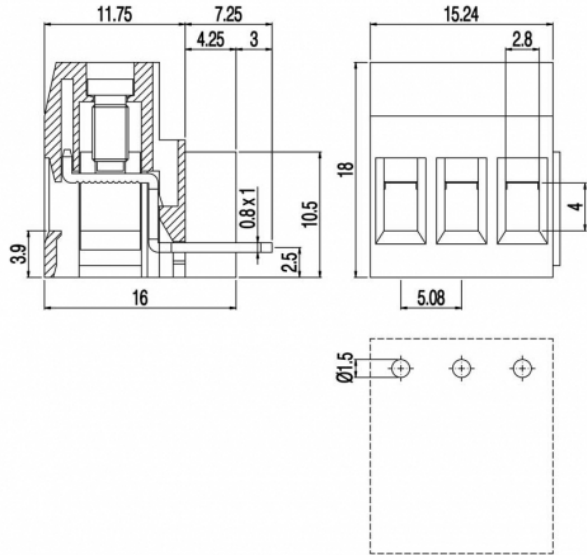
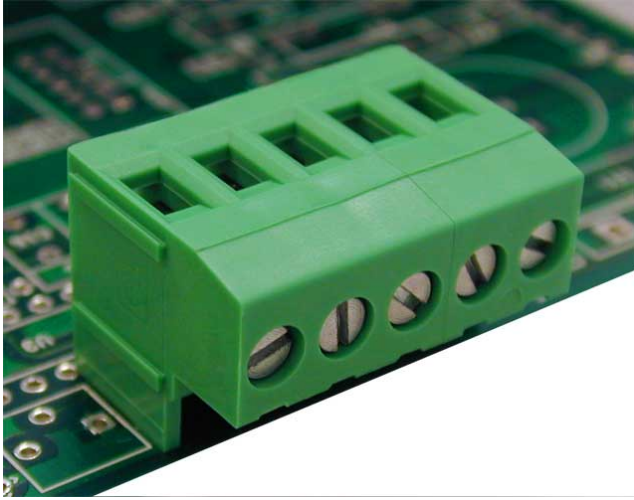


# MVS25\_-5,08-HS



## GENERAL INFORMATION

pitch	5,08 mm
Height	16 mm
Depth	18 mm
Dimensional class	Media
Wire section	2.5 mm <sup>2</sup> / 14 AWG
Clamp opening size	2.8 x 4 mm
Wire stripping	max 8.5 mm
Operating temperature	-40 ÷ +130 °C

## ELECTRICAL CHARACTERISTICS

Current	24 A
Voltage	450 V
impulse voltage	2,5 kV

## MECHANICAL CHARACTERISTICS

Screw	M3
Recommended torque	0.8÷0.88 Nm / 7.2÷7.9 in.lbs

## APPROVALS DATA



	EN 60998-1		UL 1059
Current	24 A	-	18 A factory / 15 A field
Voltage	450 V	-	300 V
Wire section	2.5 mm <sup>2</sup>	-	14 AWG
Torque	0.8 Nm	-	4.5 Lb-in
FILE	CA02.00599	-	E178356

## MATERIALS

Housing	PA - UL 94 V0
Screw	Galvanized steel
Clamp	Nickel-plated copper alloy
Terminal	Tin-plated copper alloy

SCIP Number

543da972-1465-4e54-b346-2839c48b6deb

**COLOURS**

Standard



On request



**POLES**

**NAME**

**3D FILE**

2  
3

MVS252-5,08-HS  
MVS253-5,08-HS

File not available for this product  
File not available for this product