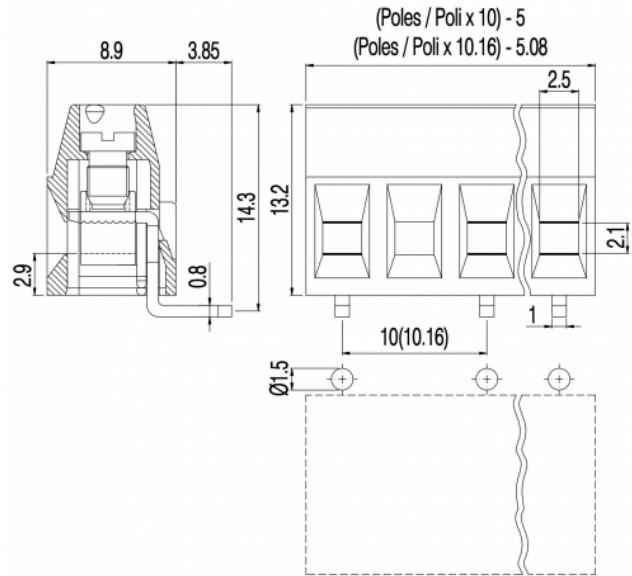


MVS15_-10,16-H-L



GENERAL INFORMATION

pitch	10,16 mm
Height	13.2 mm
Depth	8.9 mm
Dimensional class	Bassa
Wire section	1.5 mm ² / 16 AWG
Clamp opening size	2.5 x 2.1 mm
Wire stripping	max 7 mm
Operating temperature	-40 ÷ +130 °C

ELECTRICAL CHARACTERISTICS

Current	17.5 A
Voltage	750 V
impulse voltage	3 kV

MECHANICAL CHARACTERISTICS

Screw	M3
Recommended torque	0.5÷0.55 Nm / 4.5÷4.9 in.lbs

APPROVALS DATA



	EN 60998-1		UL 1059
Current	17.5 A	-	17.5 A factory / 10 A field
Voltage	750 V	-	600 V
Wire section	1.5 mm ²	-	16 AWG
Torque	0.5 Nm	-	4.5 Lb-in
FILE	CA02.00598	-	E178356

MATERIALS

Housing	PA - UL 94 V0
Screw	Galvanized steel
Clamp	Nickel-plated copper alloy

Terminal
SCIP Number

Tin-plated copper alloy
713ad43e-8dff-4607-9cfa-843d4a730153

COLOURS

Standard

On request



POLES

NAME

3D FILE

2	MVS152-10,16-H-L	File not available for this product
3	MVS153-10,16-H-L	File not available for this product
4	MVS154-10,16-H-L	File not available for this product
5	MVS155-10,16-H-L	File not available for this product
6	MVS156-10,16-H-L	File not available for this product