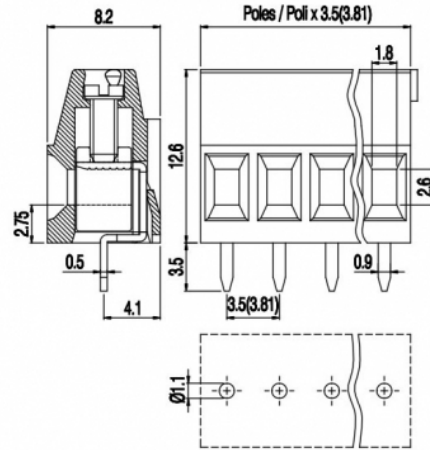
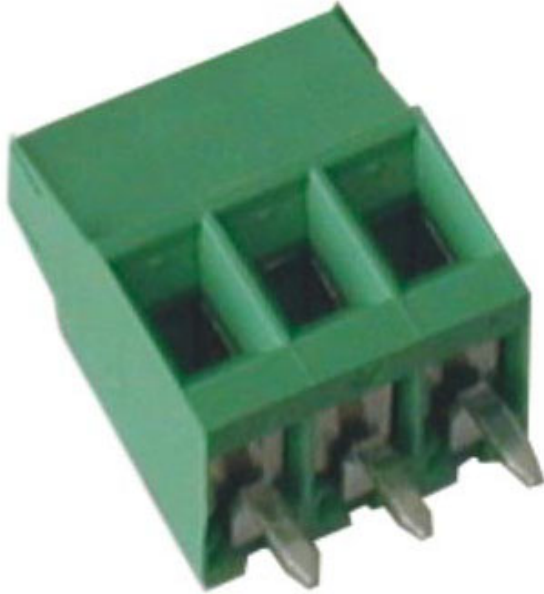


# MVS13\_-3,81-V



Version with antirotation pegs is available on 2 poles connections.  
Disponibile per connessioni a 2 poli versioni con perni antitorsione.

## GENERAL INFORMATION

pitch	3,81 mm
Height	12.6 mm
Depth	8.2 mm
Dimensional class	Bassa
Wire section	1.5 mm <sup>2</sup> / 16 AWG
Clamp opening size	1.8 x 2.6 mm
Wire stripping	max 6 mm
Operating temperature	-40 ÷ +130 °C

## ELECTRICAL CHARACTERISTICS

Current	13,5 A
Voltage	130 V
impulse voltage	1.25 kV

## MECHANICAL CHARACTERISTICS

Screw	M2
Recommended torque	0.2÷0.22 Nm / 1.8÷2 in.lbs

## APPROVALS DATA



	<b>EN 60998-1</b>		<b>UL 1059</b>
Current	17.5 A	-	12 A factory / 10 A field
Voltage	130 V	-	150 V
Wire section	1.5 mm <sup>2</sup>	-	16 AWG
Torque	0.2 Nm	-	1.8 Lb-in
FILE	CA02.04718	-	E178356

## MATERIALS

Housing	PA - UL 94 V0
---------	---------------

Screw	Galvanized steel
Clamp	Tin-plated copper alloy
Terminal	Tin-plated copper alloy
SCIP Number	44bdd228-db28-48a8-9c38-13f7c55006ec

**COLOURS**

Standard	On request					
						

POLES	NAME	3D FILE
2	MVS132-3,81-V	File available
3	MVS133-3,81-V	File available
4	MVS134-3,81-V	File available
5	MVS135-3,81-V	File available
6	MVS136-3,81-V	File available
7	MVS137-3,81-V	File available
8	MVS138-3,81-V	File available
9	MVS139-3,81-V	File available
10	MVS1310-3,81-V	File available
11	MVS1311-3,81-V	File available
12	MVS1312-3,81-V	File available