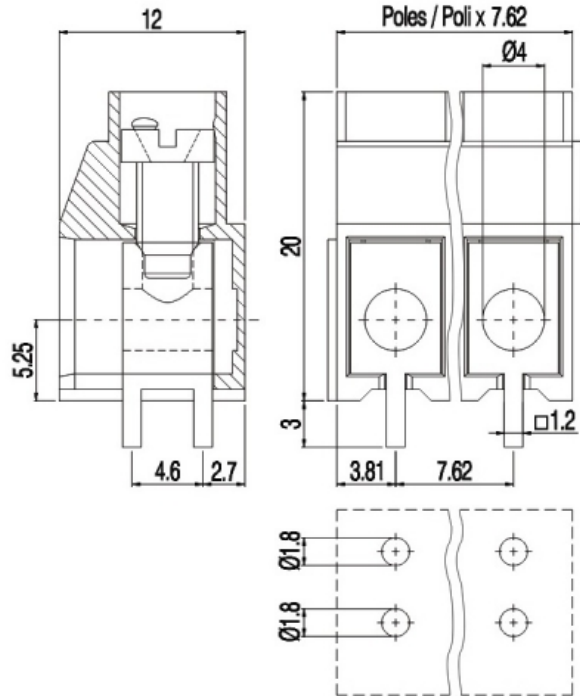
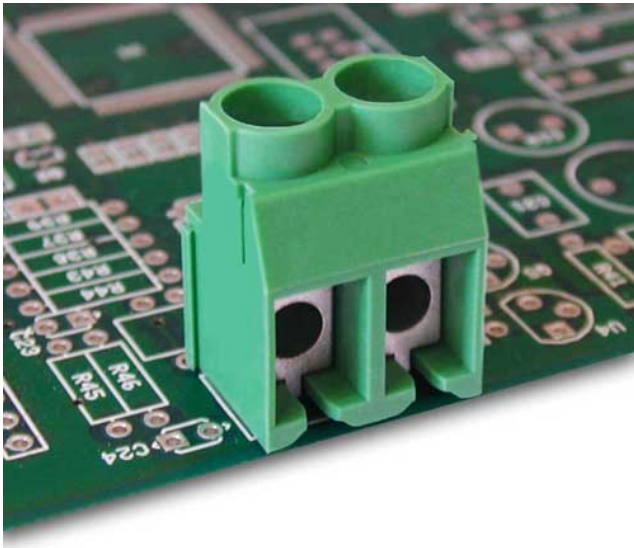


# MVK47\_-7,62-V



## GENERAL INFORMATION

pitch	7,62 mm
Height	20 mm
Depth	12 mm
Dimensional class	Alta
Wire section	6.0 mm <sup>2</sup> / 10 AWG
Clamp opening size	-
Wire stripping	max 11 mm
Operating temperature	-40 ÷ +130 °C

## ELECTRICAL CHARACTERISTICS

Current	41 A
Voltage	750 V
impulse voltage	3 kV

## MECHANICAL CHARACTERISTICS

Screw	M4
Recommended torque	1÷1.1 Nm / 9÷9.9 in.lbs

## APPROVALS DATA



	EN 60998-1		UL 1059
Current	41 A	-	35 A factory / 30 A field
Voltage	750 V	-	300 V
Wire section	6 mm <sup>2</sup>	-	20 AWG
Torque	1.2 Nm	-	9 Lb-in
FILE	CA02.00598	-	E178356

## MATERIALS

Housing	PA - UL 94 V0
Screw	Galvanized steel
Clamp	Tin-plated copper alloy
Terminal	-
SCIP Number	09c52630-8662-43b3-b1d0-57f67dae5c51

**COLOURS**

Standard



On request



**POLES**

**NAME**

**3D FILE**

1	MVK471-7,62-V	File available
2	MVK472-7,62-V	File not available for this product
3	MVK473-7,62-V	File not available for this product