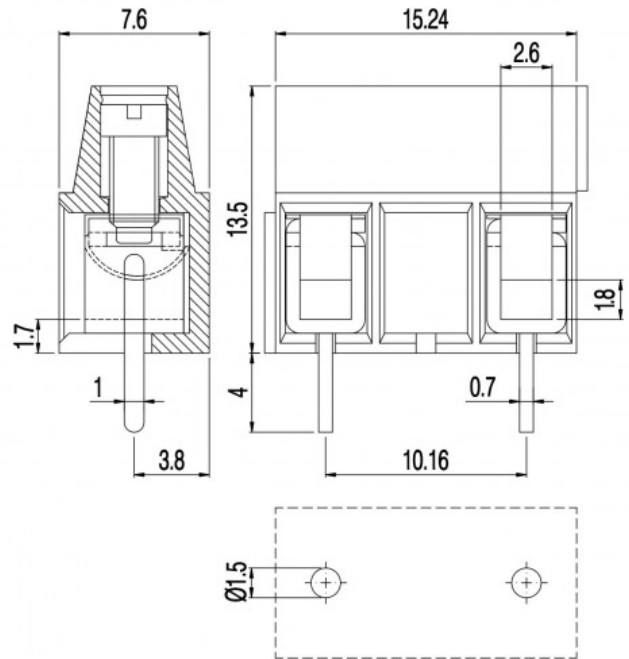


MVES15_-10,16-V



GENERAL INFORMATION

pitch	10,16 mm
Height	13.5 mm
Depth	7.6 mm
Dimensional class	Bassa
Wire section	1.5 mm ² / 16 AWG
Clamp opening size	2.6 x 2.6 mm
Wire stripping	max 7 mm
Operating temperature	-40 ÷ +130 °C

ELECTRICAL CHARACTERISTICS

Current	17.5 A
Voltage	750 V
impulse voltage	7 kV

MECHANICAL CHARACTERISTICS

Screw	M2.5
Recommended torque	0.4÷0.44 Nm / 3.6÷4 in.lbs

APPROVALS DATA



	EN 60998-1		UL 1059
Current	17.5 A	-	17.5 A factory / 10 A field
Voltage	750 V	-	600 V
Wire section	1.5 mm ²	-	16 AWG
Torque	0.4 Nm	-	3.6 Lb-in
FILE	EP151	-	E178356

MATERIALS

Housing	PA - UL 94 V0
---------	---------------

Screw
Clamp
Terminal

Galvanized steel
Tin-plated copper alloy
Tin-plated copper alloy

COLOURS

Standard

On request



POLES

NAME

3D FILE

1	MVES151-10,16-V	File not available for this product
2	MVES152-10,16-V	File not available for this product