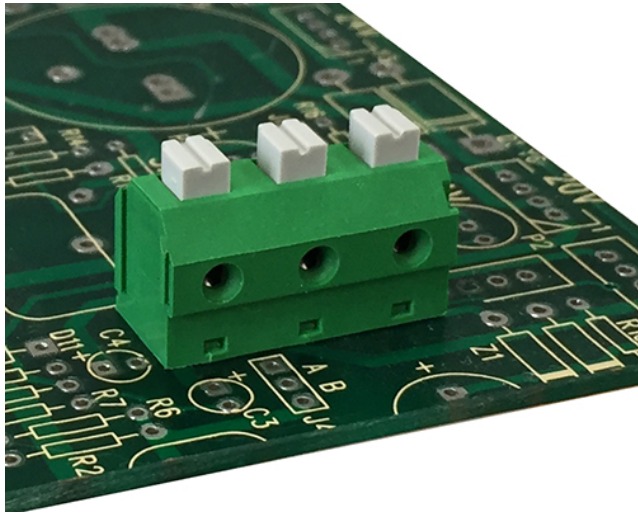
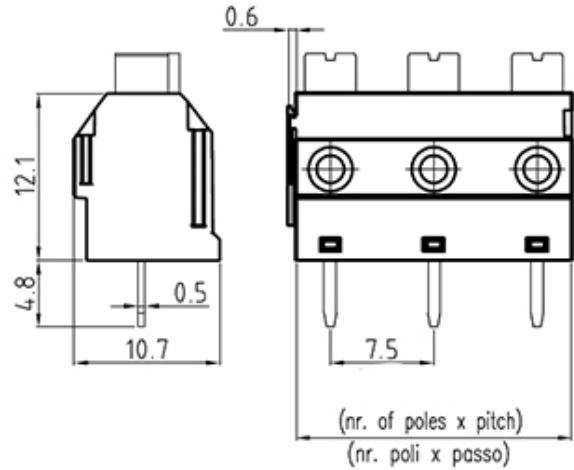


# MVEM5\_\_-7,5-V



MVEM5\_-7,5-V



### GENERAL INFORMATION

pitch	7,5 mm
Height	15 mm
Depth	10 mm
Dimensional class	Bassa
Wire section	1.5 mm <sup>2</sup> / 16 AWG
Clamp opening size	1.5 x 1.5 mm
Wire stripping	max 11 mm
Operating temperature	-40 ÷ +130 °C

### ELECTRICAL CHARACTERISTICS

Current	12 A
Voltage	250 V
impulse voltage	2 kV

### MECHANICAL CHARACTERISTICS

Screw	-
Recommended torque	-

### APPROVALS DATA



Current	-	-	<b>UL 1059</b>
Voltage	-	-	8 A factory / 8 A field
Wire section	-	-	300 V
Torque	-	-	16 AWG
FILE	-	-	-
			E178356

### MATERIALS

Housing	PA - UL 94 V0
Screw	-
Spring	Spring steel

Terminal

Tin-plated copper alloy

**COLOURS**

Standard



On request



**POLES**

**NAME**

**3D FILE**

02

MVEM502-7,5-V

File not available for this product

03

MVEM503-7,5-V

File not available for this product