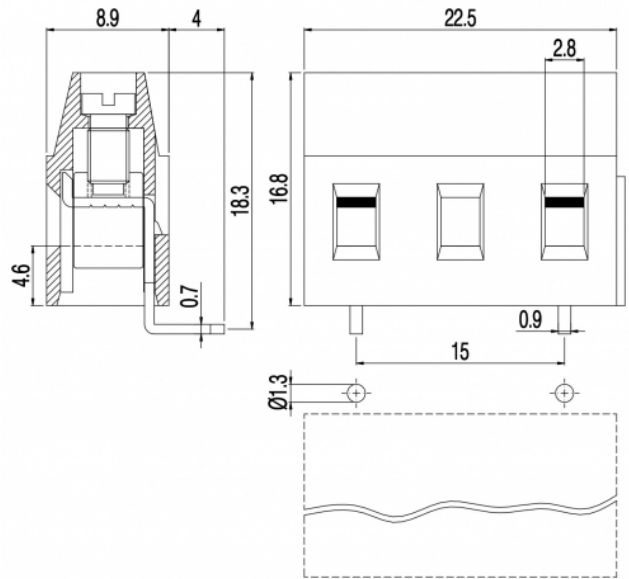
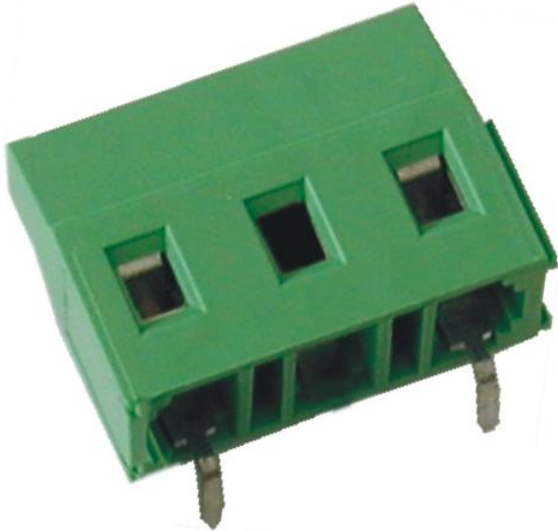


# MVE27\_-15-H



## GENERAL INFORMATION

pitch	15 mm
Height	16.8 mm
Depth	8.9 mm
Dimensional class	Media
Wire section	2.5 mm <sup>2</sup> / 14 AWG
Clamp opening size	2.8 x 2.7 mm
Wire stripping	max 7 mm
Operating temperature	-40 ÷ +130 °C

## ELECTRICAL CHARACTERISTICS

Current	16 A
Voltage	750 V
impulse voltage	3 kV

## MECHANICAL CHARACTERISTICS

Screw	M3
Recommended torque	0.5 ÷ 0.55 Nm / 4.5 ÷ 4.9 in.lbs

## APPROVALS DATA



	EN 60998-1	EN 60998-1	UL 1059
Current	16 A	16 A	16 A factory / 15 A field
Voltage	750 V	750 V	300 V
Wire section	2.5 mm <sup>2</sup>	2.5 mm <sup>2</sup>	14 AWG
Torque	0.5 Nm	0.5 Nm	4.5 Lb-in
FILE	EP149	40023956	E178356

## MATERIALS

Housing	PA - UL 94 V0
Screw	Galvanized steel
Clamp	Nickel-plated copper alloy

Terminal  
SCIP Number

Tin-plated copper alloy  
2821ab7c-15ea-41b0-a34a-7944c0fffd

**COLOURS**

Standard

On request



**POLES**

**NAME**

**3D FILE**

1	MVE271-15-H	File not available for this product
2	MVE272-15-H	File not available for this product