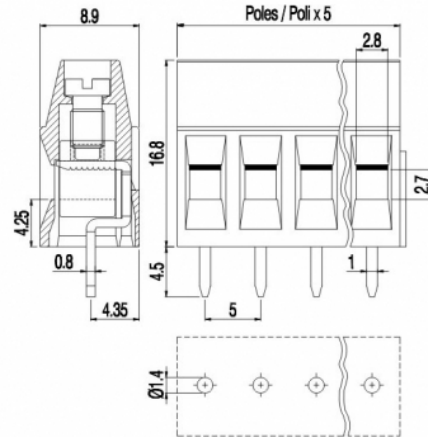


MVE25_-5-V



Version with antirotation pegs is available on 2 poles connections.
Disponibile per connessioni a 2 poli versioni con perni antitorione.

GENERAL INFORMATION

pitch	5 mm
Height	16.8 mm
Depth	8.9 mm
Dimensional class	Media
Wire section	2.5 mm ² / 14 AWG
Clamp opening size	2.8 x 2.7 mm
Wire stripping	max 7 mm
Operating temperature	-40 ÷ +130 °C

ELECTRICAL CHARACTERISTICS

Current	16 A
Voltage	450 V
impulse voltage	2.5 kV

MECHANICAL CHARACTERISTICS

Screw	M3
Recommended torque	0.5÷0.55 Nm / 4.5÷4.9 in.lbs

APPROVALS DATA



	EN 60998-1	EN 60998-1	UL 1059
Current	16 A	16 A	16 A factory / 15 A field
Voltage	450 V	450 V	300 V
Wire section	2.5 mm ²	2.5 mm ²	14 AWG
Torque	0.5 Nm	0.5 Nm	4.5 Lb-in
FILE	EP149	40023956	E178356

MATERIALS

Housing	PA - UL 94 V0
Screw	Galvanized steel

Clamp
Terminal
SCIP Number

Nickel-plated copper alloy
Tin-plated copper alloy
f1067497-248c-4560-9934-2bc3dfa74a42

COLOURS

Standard

On request



POLES	NAME	3D FILE
2	MVE252-5-V	File available
3	MVE253-5-V	File available
4	MVE254-5-V	File available
5	MVE255-5-V	File available
6	MVE256-5-V	File available
7	MVE257-5-V	File available
8	MVE258-5-V	File available
9	MVE259-5-V	File available
10	MVE2510-5-V	File available
11	MVE2511-5-V	File available
12	MVE2512-5-V	File available