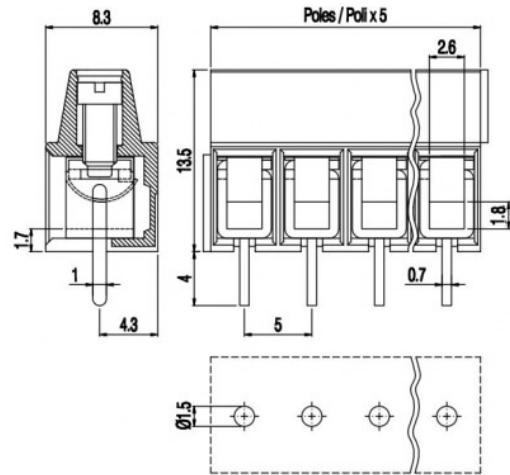


# MVE15\_-5-V



Version with antirotation pegs is available on 2 poles connections.  
Disponibile per connessioni a 2 poli versioni con perni antitorsione.

## GENERAL INFORMATION

pitch	5 mm
Height	13.5 mm
Depth	8.3 mm
Dimensional class	Bassa
Wire section	1.5 mm <sup>2</sup> / 16 AWG
Clamp opening size	2.6 x 1.8 mm
Wire stripping	max 7 mm
Operating temperature	-40 ÷ +130 °C

## ELECTRICAL CHARACTERISTICS

Current	17.5 A
Voltage	450 V
impulse voltage	2.5 kV

## MECHANICAL CHARACTERISTICS

Screw	M2.5
Recommended torque	0.4÷0.44 Nm / 3.6÷4 in.lbs

## APPROVALS DATA



	EN 60998-1	EN 60998-1	UL 1059
Current	17.5 A	17.5 A	17.5 A factory / 10 A field
Voltage	450 V	450 V	300 V
Wire section	1.5 mm <sup>2</sup>	1.5 mm <sup>2</sup>	16 AWG
Torque	0.4 Nm	0.4 Nm	3.6 Lb-in
FILE	EP151	40019705	E178356

## MATERIALS

Housing	PA - UL 94 V0
---------	---------------

Screw  
Clamp  
Terminal

Galvanized steel  
Tin-plated copper alloy  
Tin-plated copper alloy

**COLOURS**

Standard



On request



**POLES**

**NAME**

**3D FILE**

POLES	NAME	3D FILE
2	MVE152-5-V	File available
3	MVE153-5-V	File not available for this product
4	MVE154-5-V	File not available for this product
5	MVE155-5-V	File not available for this product
6	MVE156-5-V	File not available for this product
7	MVE157-5-V	File not available for this product
8	MVE158-5-V	File not available for this product
9	MVE159-5-V	File not available for this product
10	MVE1510-5-V	File not available for this product
11	MVE1511-5-V	File not available for this product
12	MVE1512-5-V	File not available for this product