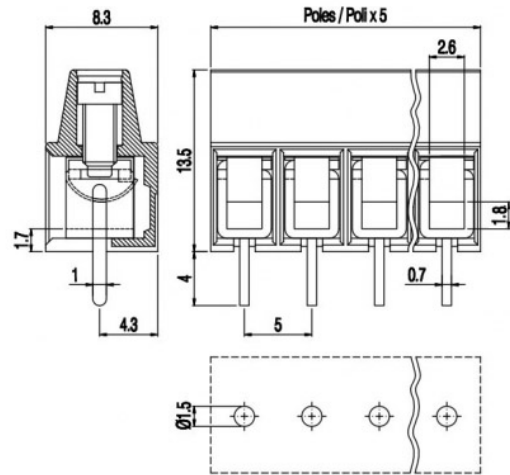
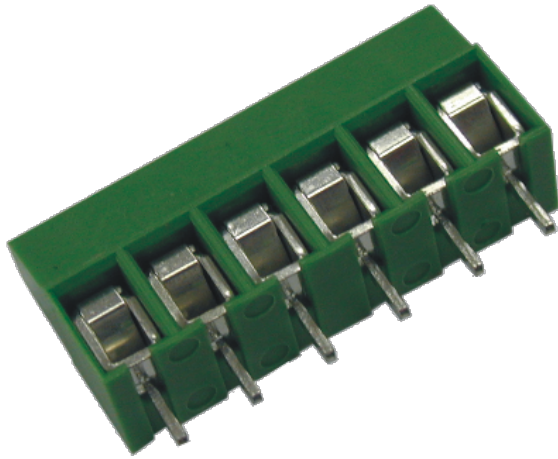


MVE15_-5-V-L



Version with antirotation pegs is available on 2 poles connections.
Disponibile per connessioni a 2 poli versioni con perni antitorsione.

GENERAL INFORMATION

pitch	5 mm
Height	13.5 mm
Depth	8.3 mm
Dimensional class	Bassa
Wire section	1.5 mm ² / 16 AWG
Clamp opening size	2.6 x 1.8 mm
Wire stripping	max 7 mm
Operating temperature	-40 ÷ +130 °C

ELECTRICAL CHARACTERISTICS

Current	17.5 A
Voltage	450 V
impulse voltage	2.5 kV

MECHANICAL CHARACTERISTICS

Screw	M2.5
Recommended torque	0.4÷0.44 Nm / 3.6÷4 in.lbs

APPROVALS DATA



	EN 60998-1	EN 60998-1	UL 1059
Current	17.5 A	17.5 A	17.5 A factory / 10 A field
Voltage	450 V	450 V	300 V
Wire section	1.5 mm ²	1.5 mm ²	16 AWG
Torque	0.4 Nm	0.4 Nm	3.6 Lb-in
FILE	EP151	40019705	E178356

MATERIALS

Housing	PA - UL 94 V0
Screw	Galvanized steel
Clamp	Tin-plated copper alloy
Terminal	Tin-plated copper alloy

COLOURS

Standard



On request



POLES	NAME	3D FILE
2	MVE152-5-V-L	File not available for this product
3	MVE153-5-V-L	File not available for this product
4	MVE154-5-V-L	File not available for this product
5	MVE155-5-V-L	File not available for this product
6	MVE156-5-V-L	File not available for this product
7	MVE157-5-V-L	File not available for this product
8	MVE158-5-V-L	File not available for this product
9	MVE159-5-V-L	File not available for this product
10	MVE1510-5-V-L	File not available for this product
11	MVE1511-5-V-L	File not available for this product
12	MVE1512-5-V-L	File not available for this product