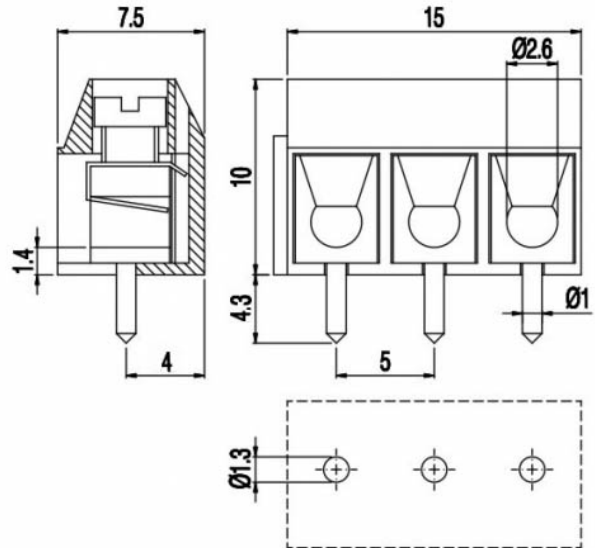


MVE13_-5-V



GENERAL INFORMATION

pitch	5 mm
Height	10 mm
Depth	7.5 mm
Dimensional class	Bassa
Wire section	1.5 mm ² / 16 AWG
Clamp opening size	-
Wire stripping	max 6 mm
Operating temperature	-40 ÷ +105 °C

ELECTRICAL CHARACTERISTICS

Current	16 A
Voltage	250 V
impulse voltage	2 kV

MECHANICAL CHARACTERISTICS

Screw	M2.5
Recommended torque	0.4÷0.44 Nm / 3.6÷4 in.lbs

APPROVALS DATA



Current	-	-	-
Voltage	-	-	-
Wire section	-	-	-
Torque	-	-	-
FILE	-	-	-

MATERIALS

Housing	PA - UL 94 V0
Screw	Galvanized steel
Clamp	Tin-plated copper alloy
Terminal	Copper alloy

COLOURS

Standard



On request



POLES	NAME	3D FILE
2	MVE132-5-V	File not available for this product
3	MVE133-5-V	File not available for this product