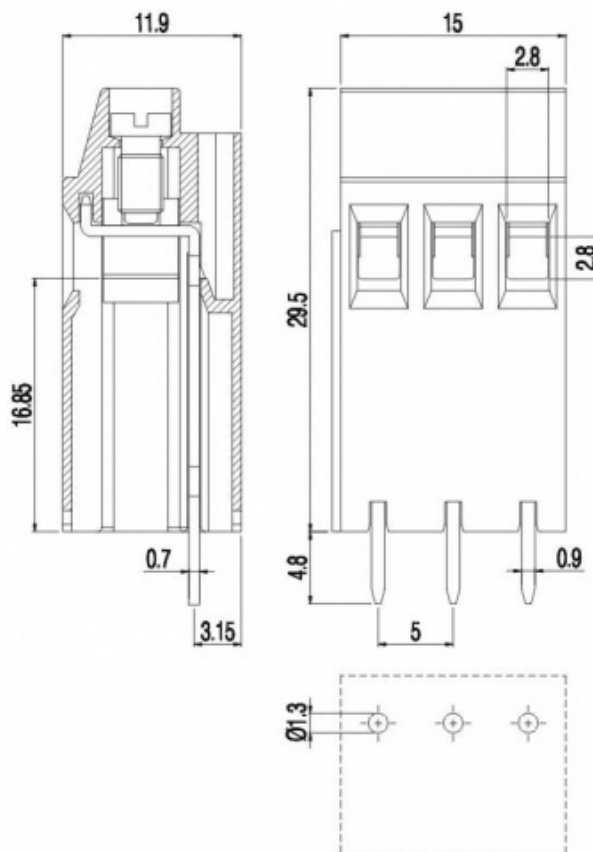
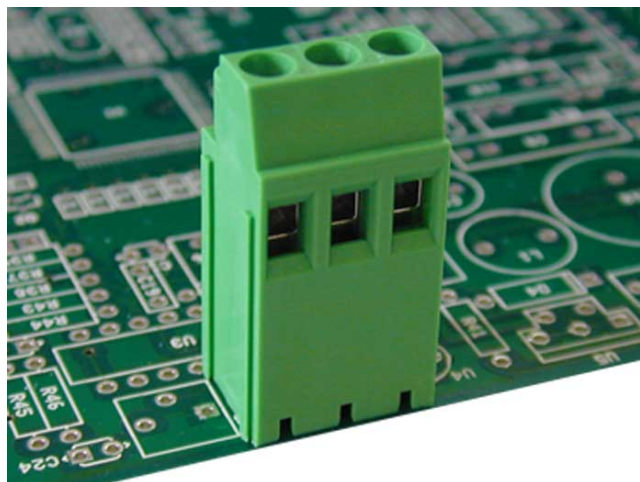


MMT25_-5-V

**GENERAL INFORMATION**

pitch	5 mm
Height	29.5 mm
Depth	11.9 mm
Dimensional class	Media
Wire section	2.5 mm ² / 14 AWG
Clamp opening size	2.8 x 2.8 mm
Wire stripping	max 7.5 mm
Operating temperature	-40 ÷ +130 °C

ELECTRICAL CHARACTERISTICS

Current	24 A
Voltage	450 V
impulse voltage	2.5 kV

MECHANICAL CHARACTERISTICS

Screw	M3
Recommended torque	0.5÷0.55 Nm / 4.5÷4.9 in.lbs

APPROVALS DATA

Current

-

-

-

Voltage	-	-	-
Wire section	-	-	-
Torque	-	-	-
FILE	-	-	-

MATERIALS

Housing	PA - UL 94 V0
Screw	Galvanized steel
Clamp	Nickel-plated copper alloy
Terminal	Tin-plated copper alloy
SCIP Number	11f43bd7-f218-4c97-8fa8-f8c814a093db

COLOURS

Standard



On request



POLES

NAME

3D FILE

2	MMT252-5-V	File available
3	MMT253-5-V	File available