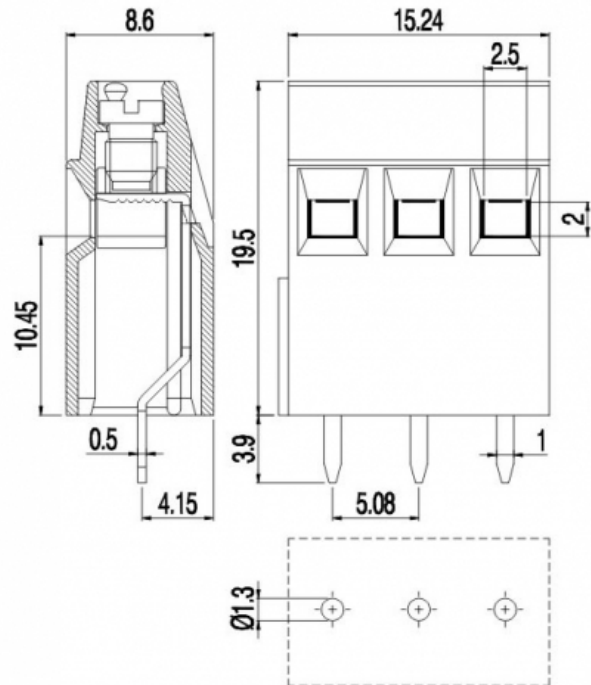
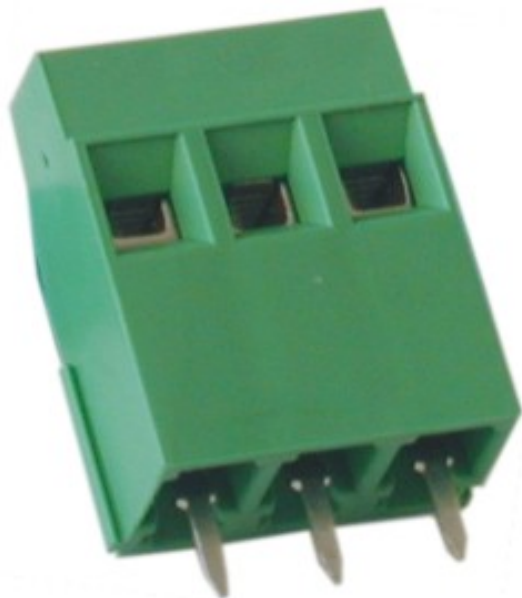


MMT15_-5,08-V



GENERAL INFORMATION

pitch	5,08 mm
Height	19,5 mm
Depth	8,6 mm
Dimensional class	Bassa
Wire section	1,5 mm ² / 16 AWG
Clamp opening size	2,5 x 2 mm
Wire stripping	max 6 mm
Operating temperature	-40 ÷ +130 °C

ELECTRICAL CHARACTERISTICS

Current	13,5 A
Voltage	250 V
Test Voltage	2 kVrms/60s

MECHANICAL CHARACTERISTICS

Screw	M3
Recommended torque	0,5÷0,55 Nm / 4,5÷4,9 in.lbs

APPROVALS DATA



Current	-	-	UL 1059 13,5 A factory / 10 A field
Voltage	-	-	300 V
Wire section	-	-	16 ÷ 30 AWG
Torque	-	-	4,5 Lb-in
FILE	-	-	E178356

MATERIALS

Housing
Screw
Clamp
Terminal
SCIP Number

PA - UL 94 V0
Galvanized steel
Nickel-plated copper alloy
Tin-plated copper alloy
e10e91b8-6da2-4ad0-8f2d-fe103248fbf2

COLOURS

Standard



On request



POLES

NAME

3D FILE

2
3

MMT152-5,08-V
MMT153-5,08-V

File available
File available