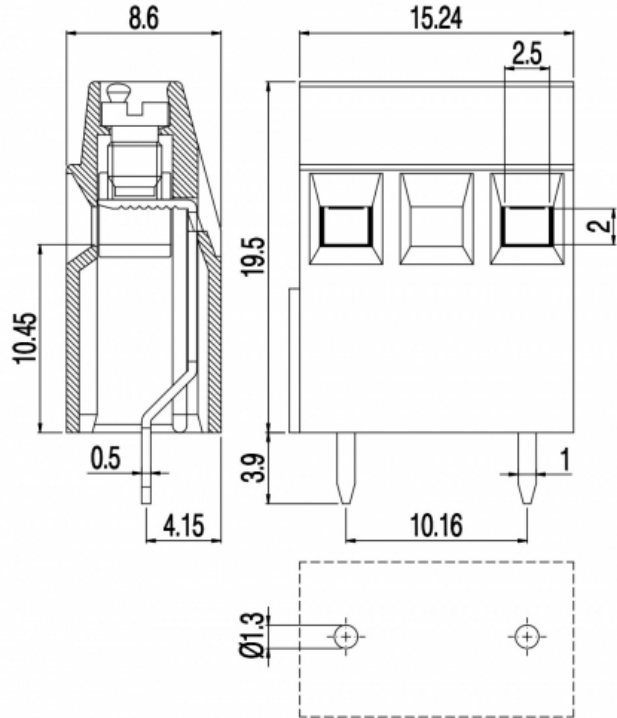
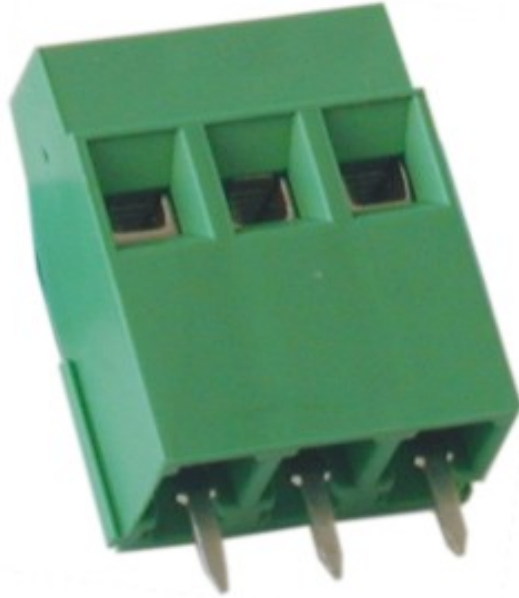


# MMT15\_-10,16-V



## GENERAL INFORMATION

pitch	10,16 mm
Height	19.5 mm
Depth	8.6 mm
Dimensional class	Bassa
Wire section	1.5 mm <sup>2</sup> / 16 AWG
Clamp opening size	2.5 x 2 mm
Wire stripping	max 6 mm
Operating temperature	-40 ÷ +130 °C

## ELECTRICAL CHARACTERISTICS

Current	13.5 A
Voltage	750 V
Test Voltage	3 kVrms/60s

## MECHANICAL CHARACTERISTICS

Screw	M3
Recommended torque	0.5÷0.55 Nm / 4.5÷4.9 in.lbs

## APPROVALS DATA



Current	-	-	<b>UL 1059</b>
Voltage	-	-	13.5 A factory / 10 A field
Wire section	-	-	600 V
Torque	-	-	16 ÷ 30 AWG
FILE	-	-	4.5 Lb-in
			E178356

**MATERIALS**

Housing	PA - UL 94 V0
Screw	Galvanized steel
Clamp	Nickel-plated copper alloy
Terminal	Tin-plated copper alloy
SCIP Number	e10e91b8-6da2-4ad0-8f2d-fe103248bf2

**COLOURS**

Standard



On request



**POLES**

**NAME**

**3D FILE**

1	MMT151-10,16-V	File not available for this product
2	MMT152-10,16-V	File not available for this product