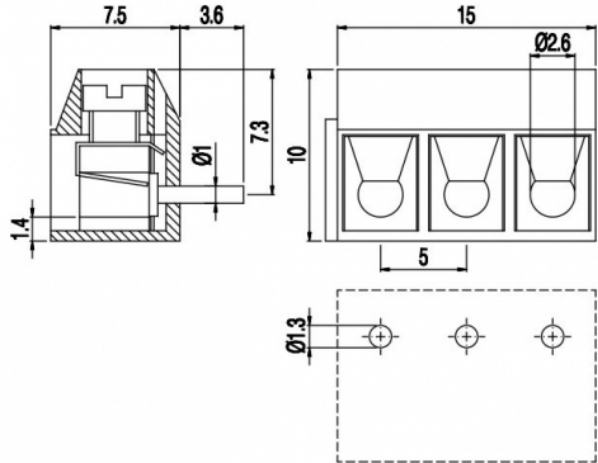


MHE13_-5-H



GENERAL INFORMATION

pitch	5 mm
Height	10 mm
Depth	7.5 mm
Dimensional class	Bassa
Wire section	1.5 mm ² / 16 AWG
Clamp opening size	2.6 x 2.6 mm
Wire stripping	max 6 mm
Operating temperature	-40 ÷ +105 °C

ELECTRICAL CHARACTERISTICS

Current	16 A
Voltage	250 V
Test Voltage	2 kVrms/60s

MECHANICAL CHARACTERISTICS

Screw	M2.6
Recommended torque	0.4÷0.44 Nm / 3.6÷4 in.lbs

APPROVALS DATA



Current	-	-	-
Voltage	-	-	-
Wire section	-	-	-
Torque	-	-	-
FILE	-	-	-

MATERIALS

Housing	PA - UL 94 V0
Screw	Galvanized steel
Clamp	Tin-plated copper alloy
Terminal	Copper alloy

COLOURS

Standard



On request



POLES	NAME	3D FILE
2	MHE132-5-H	File available
3	MHE133-5-H	File available