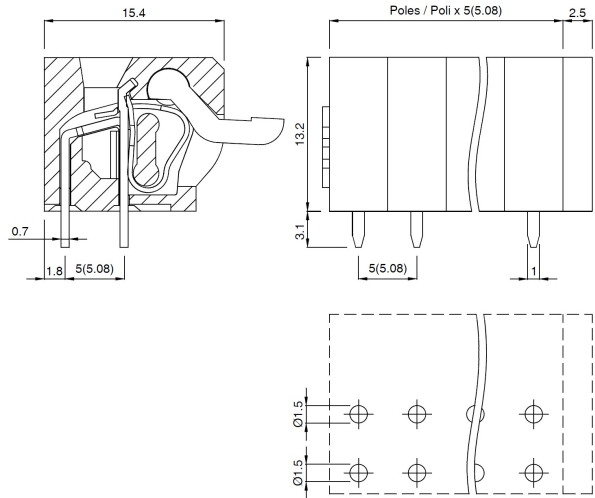
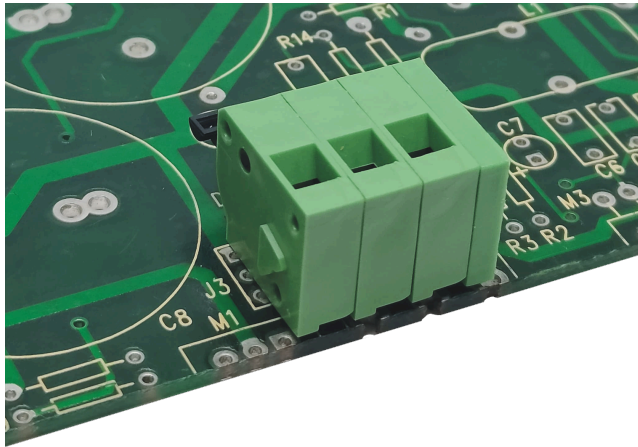


MG1__-5-V-P



GENERAL INFORMATION

pitch	5 mm
Height	13.2 mm
Depth	15.4 mm
Dimensional class	Bassa
Wire section	2.5 mm ² / 14 AWG
Clamp opening size	2.45 x 2.45 mm
Wire stripping	max 9 mm
Operating temperature	-40 ÷ +130 °C

ELECTRICAL CHARACTERISTICS

Current	24 A
Voltage	450 V
Test Voltage	2.5 kVrms/60s

MECHANICAL CHARACTERISTICS

Screw	-
Recommended torque	-

APPROVALS DATA



			UL 1059
Current	-	-	17 A factory / 17 A field
Voltage	-	-	300 V
Wire section	-	-	12 ÷ 30 AWG
Torque	-	-	-
FILE	-	-	E178356

MATERIALS

Housing	PA - UL 94 V0
Screw	-
Spring	Spring steel
Terminal	Tin-plated copper alloy

COLOURS

Standard

On request



POLES	NAME	3D FILE
01	MG101-5-V-P	File available
02	MG102-5-V-P	File available
03	MG103-5-V-P	File available
04	MG104-5-V-P	File available
05	MG105-5-V-P	File available
06	MG106-5-V-P	File available
07	MG107-5-V-P	File not available for this product
08	MG108-5-V-P	File not available for this product
09	MG109-5-V-P	File not available for this product
10	MG110-5-V-P	File not available for this product
11	MG111-5-V-P	File not available for this product
12	MG112-5-V-P	File not available for this product
13	MG113-5-V-P	File not available for this product
14	MG114-5-V-P	File not available for this product
15	MG115-5-V-P	File not available for this product
16	MG116-5-V-P	File not available for this product
17	MG117-5-V-P	File not available for this product
18	MG118-5-V-P	File not available for this product
19	MG119-5-V-P	File not available for this product
20	MG120-5-V-P	File not available for this product
21	MG121-5-V-P	File not available for this product
22	MG122-5-V-P	File not available for this product
23	MG123-5-V-P	File not available for this product