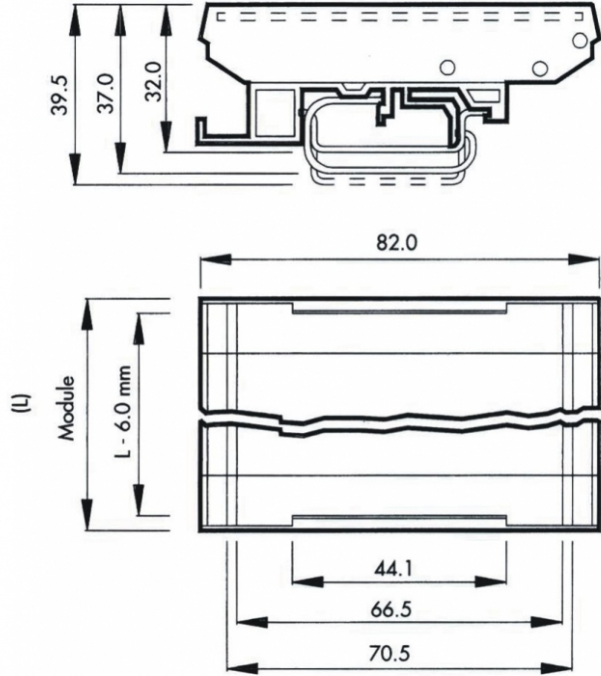
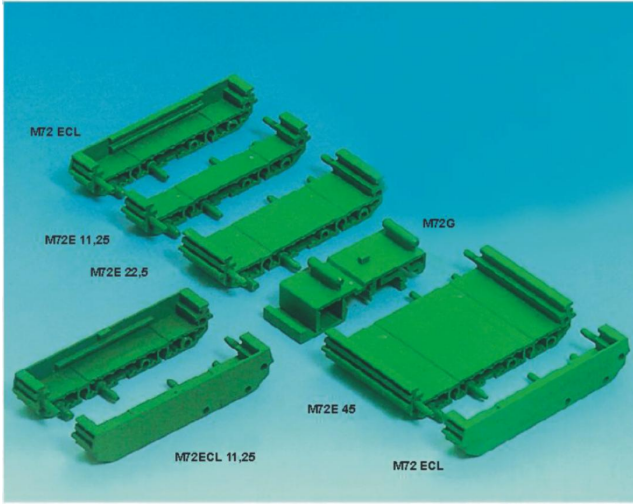


M-72



GENERAL INFORMATION

pitch	-
Height	-
Depth	-
Dimensional class	Alta
Wire section	-
Clamp opening size	-
Wire stripping	-
Operating temperature	-

ELECTRICAL CHARACTERISTICS

Current	-
Voltage	-
Test Voltage	-

MECHANICAL CHARACTERISTICS

Screw	-
Recommended torque	-

APPROVALS DATA



Current	-	-	-
Voltage	-	-	-
Wire section	-	-	-
Torque	-	-	-
FILE	-	-	-

MATERIALS

Housing
Screw
Clamp
Terminal

PA - UL 94 V0

-
-
-

COLOURS

Standard

On request

