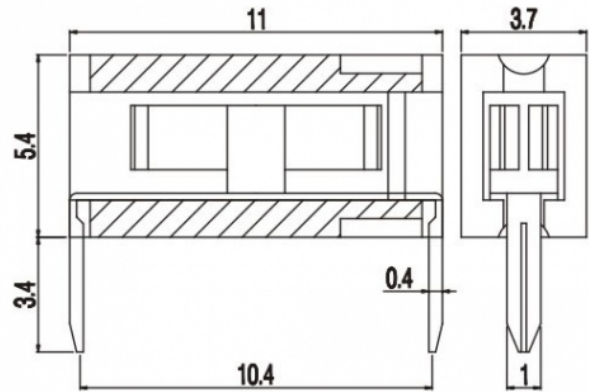


# CODU-D



## GENERAL INFORMATION

pitch	-
Height	5.4 mm
Depth	3.7 mm
Dimensional class	n/a
Wire section	-
Clamp opening size	-
Wire stripping	-
Operating temperature	-40 ÷ +130 °C

## ELECTRICAL CHARACTERISTICS

Current	10 A
Voltage	450 V

## MECHANICAL CHARACTERISTICS

Screw	-
Recommended torque	-

## APPROVALS DATA



	<b>EN 61984</b>		
Current	10 A	-	-
Voltage	450 V	-	-
Wire section	-	-	-
Torque	-	-	-
FILE	EQ204	-	-

## MATERIALS

Housing	PA - UL 94 V0
Screw	-
Clamp	-
Terminal	-

**COLOURS**

Standard

**GN**

On request

**GY**

**BK**

**BL**

**RD**

**YL**

**OG**