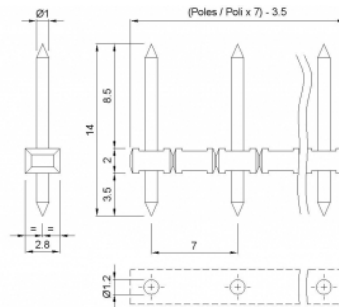
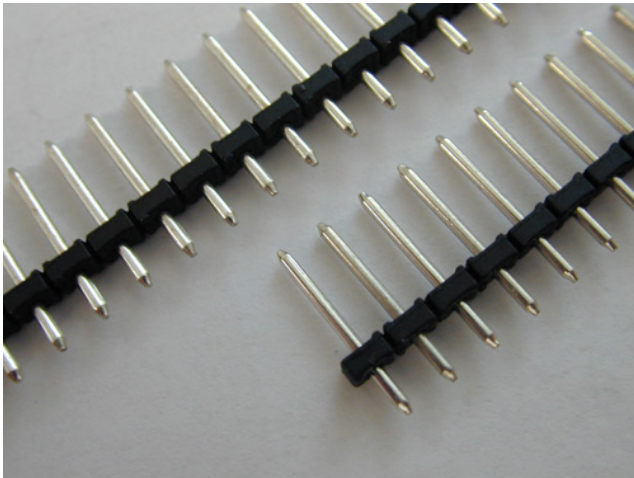


PVS__-7



GENERAL INFORMATION

pitch	7 mm
Height	14 mm
Depth	2.8 mm
Dimensional class	Bassa
Wire section	-
Clamp opening size	-
Wire stripping	-
Operating temperature	-40 ÷ +130 °C

ELECTRICAL CHARACTERISTICS

Current	8 A
Voltage	400 V
impulse voltage	6 kV

MECHANICAL CHARACTERISTICS

Screw	-
Recommended torque	-

APPROVALS DATA



Current	-	-	-
Voltage	-	-	-
Wire section	-	-	-
Torque	-	-	-
FILE	-	-	-

MATERIALS

Housing	PA - UL 94 V0
Screw	-
Clamp	-
Terminal	Tin-plated copper alloy
SCIP Number	e7871ea5-2cf8-4f17-b626-38a85b04faba

COLOURS

Standard

On request

BK

POLES	NAME	3D FILE
02	PVS02-7	File available
03	PVS03-7	File available
04	PVS04-7	File available
05	PVS05-7	File available
06	PVS06-7	File available
07	PVS07-7	File available
08	PVS08-7	File available
09	PVS09-7	File available
10	PVS10-7	File available
11	PVS11-7	File available
12	PVS12-7	File available