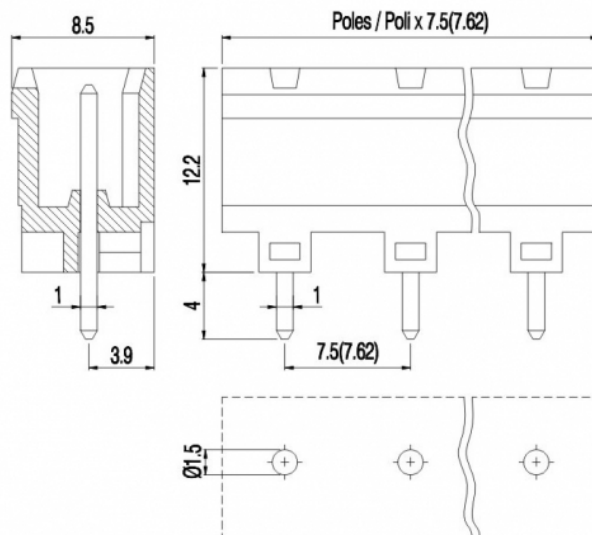
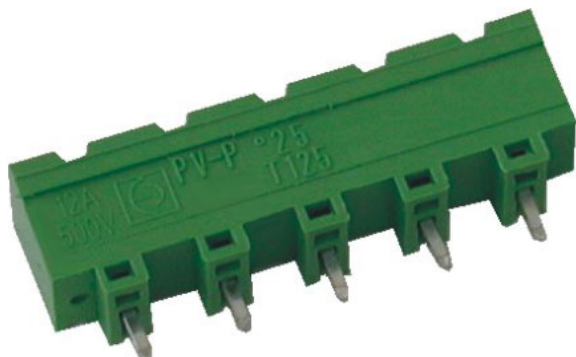


PV__-7,62-V-P



GENERAL INFORMATION

pitch	7,62 mm
Height	12.2 mm
Depth	8.5 mm
Dimensional class	Bassa
Wire section	-
Clamp opening size	-
Wire stripping	-
Operating temperature	-40 ÷ +130 °C

ELECTRICAL CHARACTERISTICS

Current	15 A
Voltage	500 V

MECHANICAL CHARACTERISTICS

Screw	-
Recommended torque	-

APPROVALS DATA



	EN 61984	EN 61984	UL 1059
Current	16 A	15 A	16 A factory / 16 A field
Voltage	500 V	500 V	300 V
Wire section	-	-	-
Torque	-	-	-
FILE	CA02.04178	40005779	E178356

MATERIALS

Housing	PA - UL 94 V0
Screw	-
Clamp	-
Terminal	Tin-plated copper alloy

COLOURS

Standard



On request



POLES	NAME	3D FILE
02	PV02-7,62-V-P	File available
03	PV03-7,62-V-P	File available
04	PV04-7,62-V-P	File not available for this product
05	PV05-7,62-V-P	File not available for this product
06	PV06-7,62-V-P	File not available for this product
07	PV07-7,62-V-P	File not available for this product
08	PV08-7,62-V-P	File not available for this product
09	PV09-7,62-V-P	File not available for this product
10	PV10-7,62-V-P	File not available for this product
11	PV11-7,62-V-P	File not available for this product
12	PV12-7,62-V-P	File not available for this product
13	PV13-7,62-V-P	File not available for this product
14	PV14-7,62-V-P	File not available for this product
15	PV15-7,62-V-P	File not available for this product