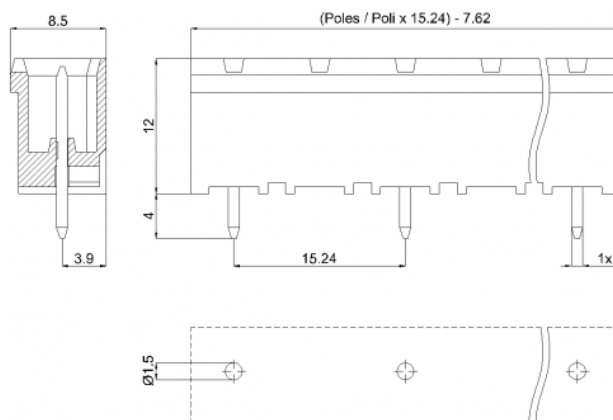
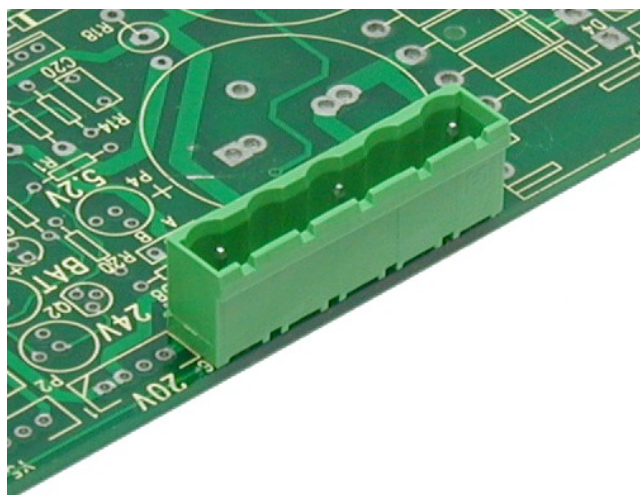


PV__-15,24-V-P



GENERAL INFORMATION

pitch	15,24 mm
Height	12 mm
Depth	8.5 mm
Dimensional class	Media
Wire section	-
Clamp opening size	-
Wire stripping	-
Operating temperature	-40 ÷ +130 °C

ELECTRICAL CHARACTERISTICS

Current	15 A
Voltage	1000 V
Test Voltage	8 kVrms/60s

MECHANICAL CHARACTERISTICS

Screw	-
Recommended torque	-

APPROVALS DATA



	EN 61984	EN 61984	UL 1059
Current	16 A	15 A	16 A factory / 16 A field
Voltage	500 V	500 V	600 V
Wire section	-	-	-
Torque	-	-	-
FILE	CA02.04178	40005779	E178356

MATERIALS

Housing	PA - UL 94 V0
Screw	-
Clamp	-
Terminal	Tin-plated copper alloy
SCIP Number	892ed63d-670d-4367-9365-34dfcaff593c

COLOURS

Standard

On request



POLES

02
03
04
05
06
07
08

NAME

PV02-15,24-V-P
PV03-15,24-V-P
PV04-15,24-V-P
PV05-15,24-V-P
PV06-15,24-V-P
PV07-15,24-V-P
PV08-15,24-V-P

3D FILE

File not available for this product
File not available for this product
File not available for this product
File not available for this product
File not available for this product
File not available for this product
File not available for this product