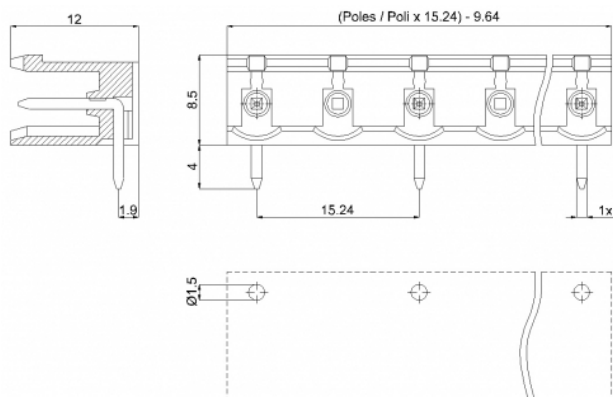
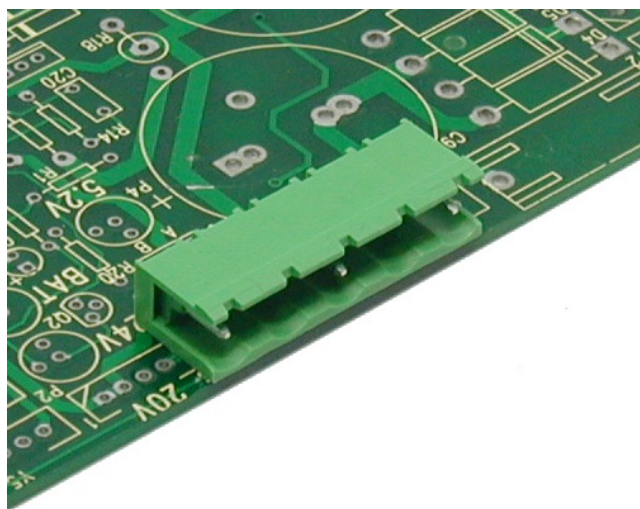


PV__-15,24-H



GENERAL INFORMATION

pitch	15,24 mm
Height	8.5 mm
Depth	12 mm
Dimensional class	Media
Wire section	-
Clamp opening size	-
Wire stripping	-
Operating temperature	-40 ÷ +130 °C

ELECTRICAL CHARACTERISTICS

Current	15 A
Voltage	1000 V
impulse voltage	8 kV

MECHANICAL CHARACTERISTICS

Screw	-
Recommended torque	-

APPROVALS DATA



	EN 61984	EN 61984	UL 1059
Current	16 A	15 A	16 A factory / 16 A field
Voltage	500 V	500 V	600 V
Wire section	-	-	-
Torque	-	-	-
FILE	CA02.04178	40005779	E178356

MATERIALS

Housing	PA - UL 94 V0
Screw	-
Clamp	-
Terminal	Tin-plated copper alloy
SCIP Number	892ed63d-670d-4367-9365-34dfcaff593c

COLOURS

Standard

On request

GN

GY

BK

BL

RD

YL

OG

POLES	NAME	3D FILE
02	PV02-15,24-H	File not available for this product
03	PV03-15,24-H	File not available for this product
04	PV04-15,24-H	File not available for this product
05	PV05-15,24-H	File not available for this product
06	PV06-15,24-H	File not available for this product
07	PV07-15,24-H	File not available for this product
08	PV08-15,24-H	File not available for this product