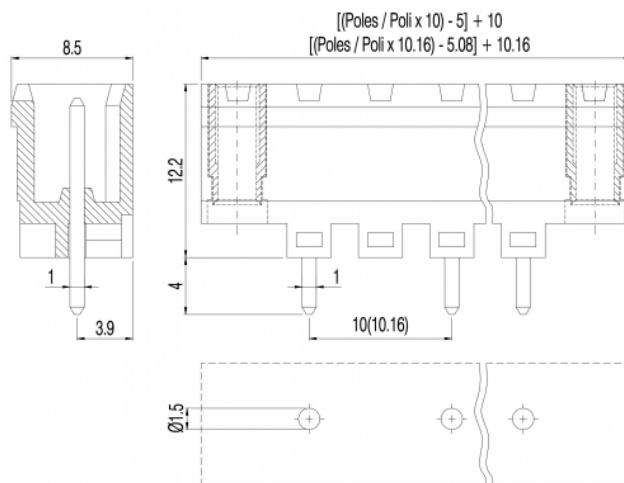
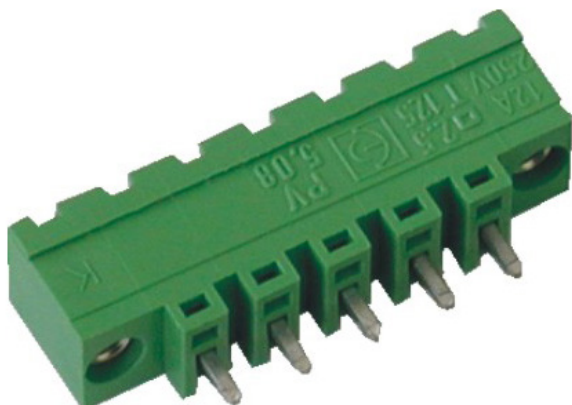


# PV\_\_-10-V-K



## GENERAL INFORMATION

|                       |               |
|-----------------------|---------------|
| pitch                 | 10 mm         |
| Height                | 12.2 mm       |
| Depth                 | 8.5 mm        |
| Dimensional class     | Media         |
| Wire section          | -             |
| Clamp opening size    | -             |
| Wire stripping        | -             |
| Operating temperature | -40 ÷ +130 °C |

## ELECTRICAL CHARACTERISTICS

|                 |       |
|-----------------|-------|
| Current         | 15 A  |
| Voltage         | 500 V |
| impulse voltage | 6 kV  |

## MECHANICAL CHARACTERISTICS

|                    |   |
|--------------------|---|
| Screw              | - |
| Recommended torque | - |

## APPROVALS DATA



|              |                 |                 |                           |
|--------------|-----------------|-----------------|---------------------------|
|              | <b>EN 61984</b> | <b>EN 61984</b> | <b>UL 1059</b>            |
| Current      | 15 A            | 15 A            | 12 A factory / 12 A field |
| Voltage      | 500 V           | 500 V           | 600 V                     |
| Wire section | -               | -               | -                         |
| Torque       | -               | -               | -                         |
| FILE         | CA02.04178      | 40005779        | E178356                   |

## MATERIALS

|             |                                      |
|-------------|--------------------------------------|
| Housing     | PA - UL 94 V0                        |
| Screw       | -                                    |
| Clamp       | -                                    |
| Terminal    | Tin-plated copper alloy              |
| SCIP Number | 0086c05b-2b6e-457a-b57e-4d998c8f5f0d |

## COLOURS

Standard

On request



| POLES | NAME        | 3D FILE                             |
|-------|-------------|-------------------------------------|
| 02    | PV02-10-V-K | File not available for this product |
| 03    | PV03-10-V-K | File not available for this product |
| 04    | PV04-10-V-K | File not available for this product |
| 05    | PV05-10-V-K | File not available for this product |
| 06    | PV06-10-V-K | File not available for this product |
| 07    | PV07-10-V-K | File not available for this product |
| 08    | PV08-10-V-K | File not available for this product |
| 09    | PV09-10-V-K | File not available for this product |
| 10    | PV10-10-V-K | File not available for this product |
| 11    | PV11-10-V-K | File not available for this product |