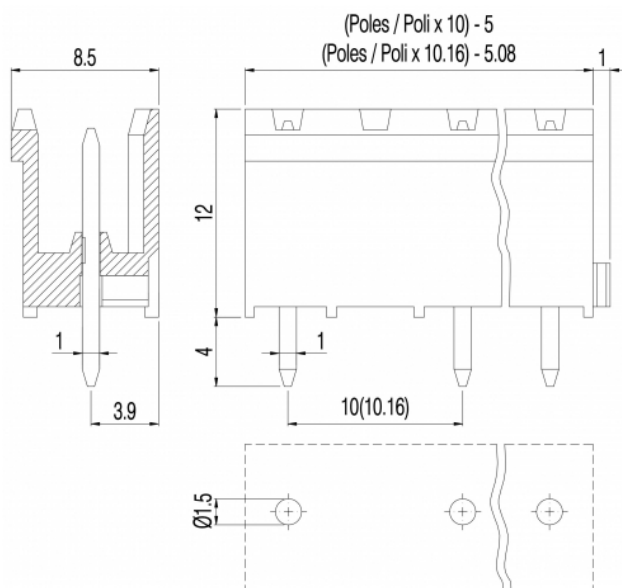
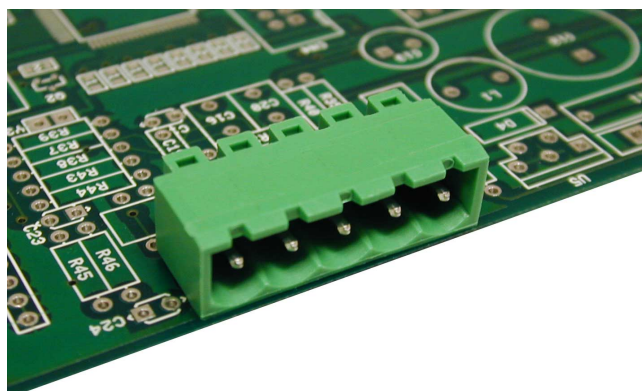


# PV\_\_-10-V-M



## GENERAL INFORMATION

pitch	10 mm
Height	12 mm
Depth	8.5 mm
Dimensional class	Media
Wire section	-
Clamp opening size	-
Wire stripping	-
Operating temperature	-40 ÷ +130 °C

## ELECTRICAL CHARACTERISTICS

Current	15 A
Voltage	500 V
impulse voltage	6 kV

## MECHANICAL CHARACTERISTICS

Screw	-
Recommended torque	-

## APPROVALS DATA



	EN 61984	EN 61984	UL 1059
Current	15 A	15 A	12 A factory / 12 A field
Voltage	500 V	500 V	600 V
Wire section	-	-	-
Torque	-	-	-
FILE	CA02.04178	40005779	E178356

## MATERIALS

Housing	PA - UL 94 V0
Screw	-
Clamp	-
Terminal	Tin-plated copper alloy

SCIP Number

892ed63d-670d-4367-9365-34dfcaff593c

**COLOURS**

Standard

On request



**POLES**

**NAME**

**3D FILE**

01

PV01-10-V-M

File not available for this product

02

PV02-10-V-M

File not available for this product