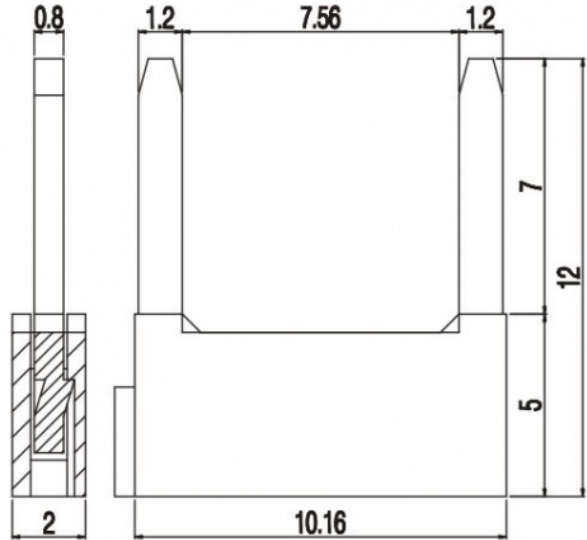
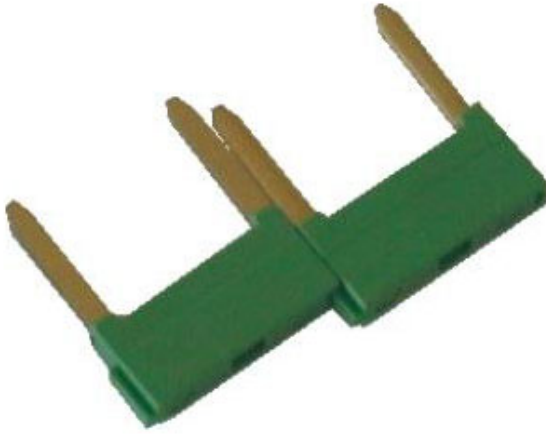


PT10



GENERAL INFORMATION

| | |
|-----------------------|---------------|
| pitch | 10,16 mm |
| Height | 5 mm |
| Depth | 2 mm |
| Dimensional class | n/a |
| Wire section | - |
| Clamp opening size | - |
| Wire stripping | - |
| Operating temperature | -40 ÷ +130 °C |

ELECTRICAL CHARACTERISTICS

| | |
|-----------------|------|
| Current | 24 A |
| Voltage | - V |
| impulse voltage | - kV |

MECHANICAL CHARACTERISTICS

| | |
|--------------------|---|
| Screw | - |
| Recommended torque | - |

APPROVALS DATA



| | | | |
|--------------|---|---|---|
| Current | - | - | - |
| Voltage | - | - | - |
| Wire section | - | - | - |
| Torque | - | - | - |
| FILE | - | - | - |

MATERIALS

| | |
|----------|-------------------------|
| Housing | PA - UL 94 V0 |
| Screw | - |
| Clamp | - |
| Terminal | Tin-plated copper alloy |

COLOURS

Standard

On request

