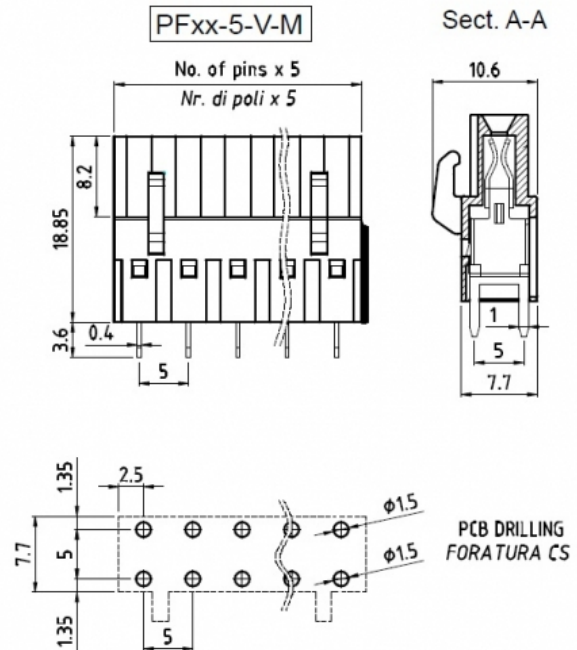
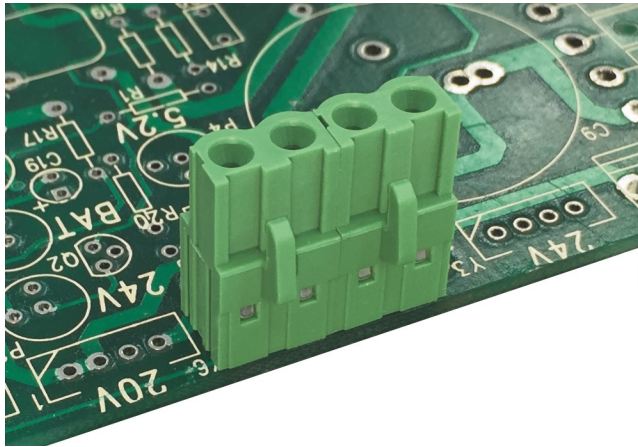


PF__-5,0-V-M



GENERAL INFORMATION

pitch	5 mm
Height	18.85 mm
Depth	7.7 mm
Dimensional class	Media
Wire section	-
Clamp opening size	-
Wire stripping	-
Operating temperature	-40 ÷ +130 °C

ELECTRICAL CHARACTERISTICS

Current	15 A
Voltage	250 V
impulse voltage	4 kV

MECHANICAL CHARACTERISTICS

Screw	-
Recommended torque	-

APPROVALS DATA



Current	-	-	UL 1059
Voltage	-	-	22 A factory / 20 A field
Wire section	-	-	300 V
Torque	-	-	-
FILE	-	-	E178356

MATERIALS

Housing	PA - UL 94 V0
Screw	-

Clamp
Terminal

Tin-plated copper alloy

COLOURS

Standard



On request



POLES	NAME	3D FILE
02	PF02-5,0-V-M	File not available for this product
03	PF03-5,0-V-M	File not available for this product
04	PF04-5,0-V-M	File not available for this product
05	PF05-5,0-V-M	File not available for this product
06	PF06-5,0-V-M	File not available for this product
07	PF07-5,0-V-M	File not available for this product
08	PF08-5,0-V-M	File not available for this product
09	PF09-5,0-V-M	File not available for this product
10	PF10-5,0-V-M	File not available for this product
11	PF11-5,0-V-M	File not available for this product
12	PF12-5,0-V-M	File not available for this product