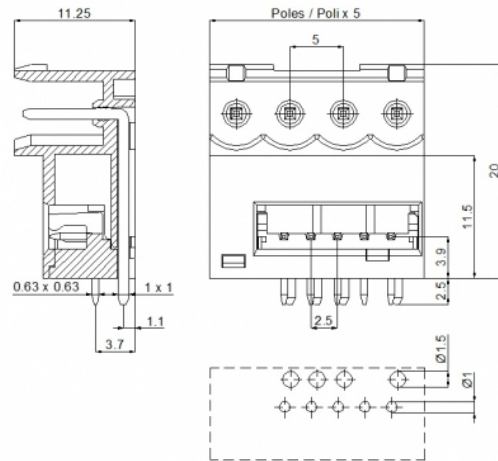
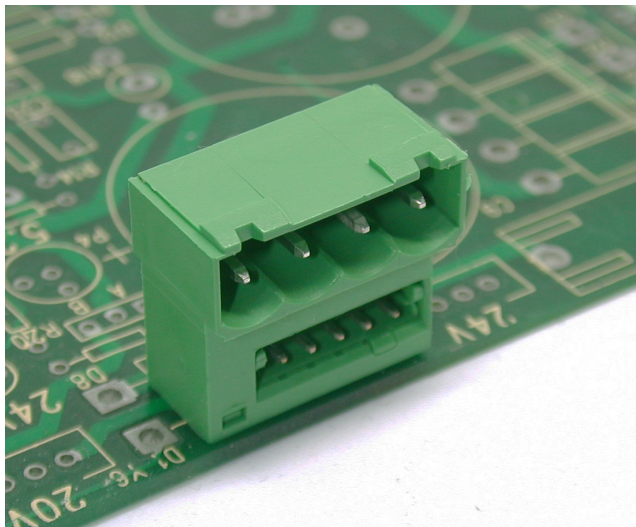


PDX254-5-P-PZ



GENERAL INFORMATION

pitch	5 mm
Height	20 mm
Depth	11.25 mm
Dimensional class	Media
Wire section	-
Clamp opening size	-
Wire stripping	-
Operating temperature	-40 ÷ +130 °C

ELECTRICAL CHARACTERISTICS

Current	12 A
Voltage	160 V
impulse voltage	1.3 kV

MECHANICAL CHARACTERISTICS

Screw	-
Recommended torque	-

APPROVALS DATA



Current	-	-	-
Voltage	-	-	-
Wire section	-	-	-
Torque	-	-	-
FILE	-	-	-

MATERIALS

Housing	PA - UL 94 V0
Screw	-
Clamp	-
Terminal	Tin-plated copper alloy

COLOURS

Standard

On request

GN

GY

BK

BL

RD

YL

OG

POLES

NAME

3D FILE

4

PDX254-5-P-PZ

File available