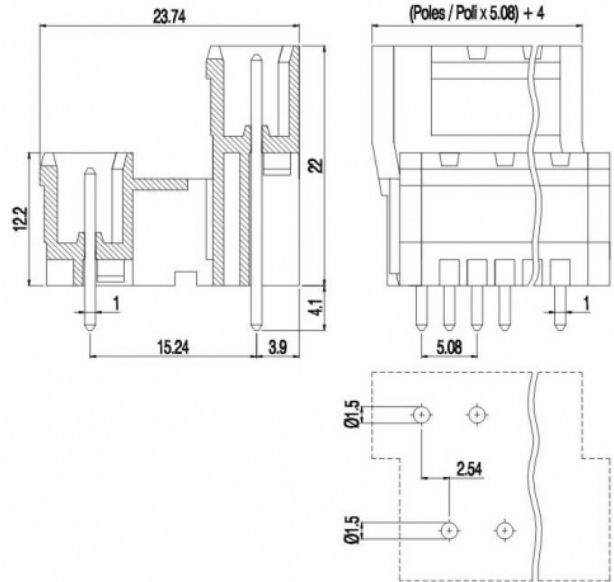
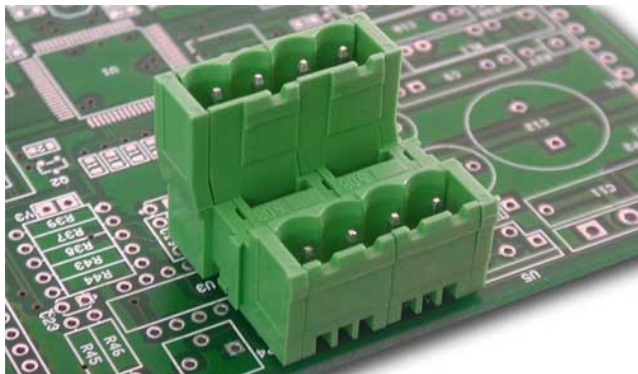


PDSV__-5,08-V-P



GENERAL INFORMATION

| | |
|-----------------------|---------------|
| pitch | 5,08 mm |
| Height | 22 mm |
| Depth | 23.74 mm |
| Dimensional class | Media |
| Wire section | - |
| Clamp opening size | - |
| Wire stripping | - |
| Operating temperature | -40 ÷ +130 °C |

ELECTRICAL CHARACTERISTICS

| | |
|-----------------|-------|
| Current | 12 A |
| Voltage | 250 V |
| impulse voltage | 4 kV |

MECHANICAL CHARACTERISTICS

| | |
|--------------------|---|
| Screw | - |
| Recommended torque | - |

APPROVALS DATA



| | | | |
|--------------|-----------------|-----------------|---------------------------|
| | EN 61984 | EN 61984 | UL 1059 |
| Current | 12 A | 12 A | 12 A factory / 12 A field |
| Voltage | 250 V | 250 V | 300 V |
| Wire section | - | - | - |
| Torque | - | - | - |
| FILE | CA02.04178 | 40005779 | E178356 |

MATERIALS

| | |
|----------|-------------------------|
| Housing | PA - UL 94 V0 |
| Screw | - |
| Clamp | - |
| Terminal | Tin-plated copper alloy |

COLOURS

Standard



On request



POLES

NAME

3D FILE

02
03

PDSV02-5,08-V-P
PDSV03-5,08-V-P

File available
File available