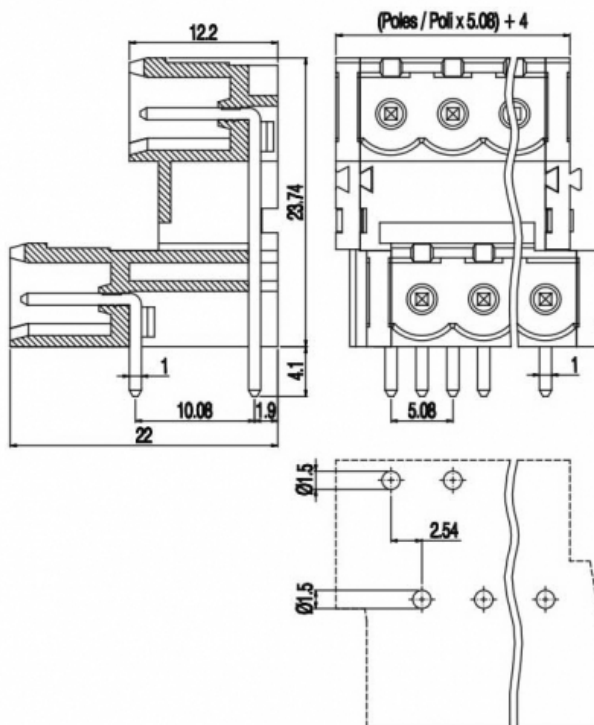
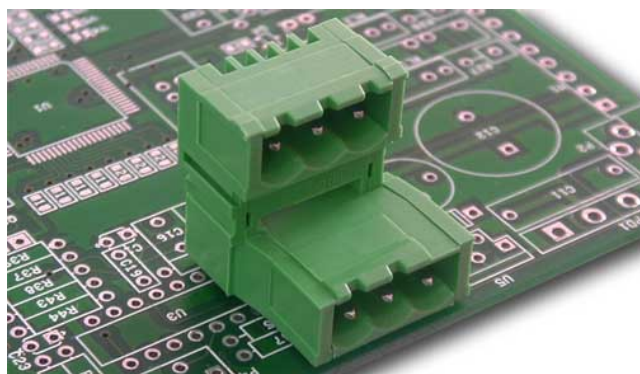


PDSV__-5,08-H-P



GENERAL INFORMATION

pitch	5,08 mm
Height	23,74 mm
Depth	22 mm
Dimensional class	Media
Wire section	-
Clamp opening size	-
Wire stripping	-
Operating temperature	-40 ÷ +130 °C

ELECTRICAL CHARACTERISTICS

Current	12 A
Voltage	250 V
impulse voltage	4 kV

MECHANICAL CHARACTERISTICS

Screw	-
Recommended torque	-

APPROVALS DATA



	EN 61984	EN 61984	UL 1059
Current	12 A	12 A	12 A factory / 12 A field
Voltage	250 V	250 V	300 V
Wire section	-	-	-
Torque	-	-	-
FILE	CA02.04178	40005779	E178356

MATERIALS

Housing PA - UL 94 V0
Screw -
Clamp -
Terminal Tin-plated copper alloy

COLOURS

Standard



On request



POLES

NAME

3D FILE

02	PDSV02-5,08-H-P	File available
03	PDSV03-5,08-H-P	File available