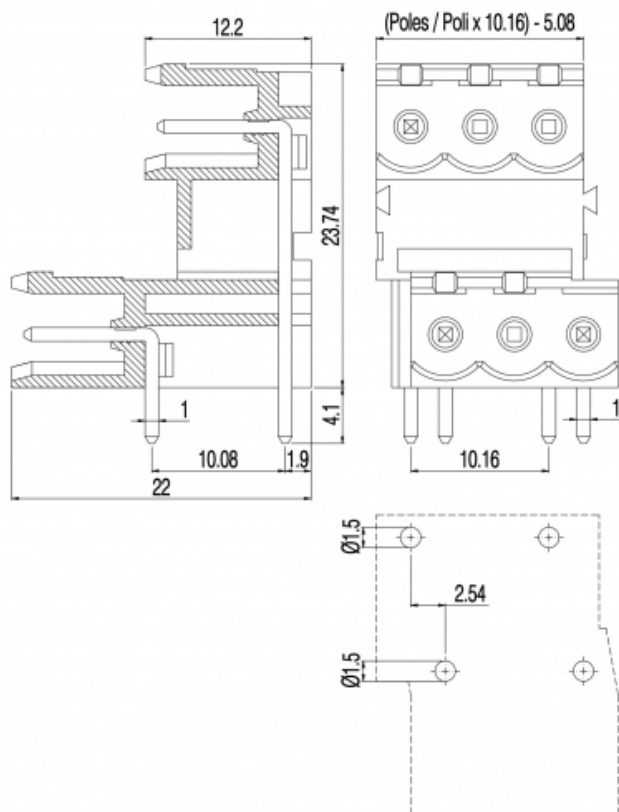


PDSV__-10,16-H



GENERAL INFORMATION

pitch	10,16 mm
Height	23.74 mm
Depth	22 mm
Dimensional class	Media
Wire section	-
Clamp opening size	-
Wire stripping	-
Operating temperature	-40 ÷ +130 °C

ELECTRICAL CHARACTERISTICS

Current	15 A
Voltage	500 V
impulse voltage	6 kV

MECHANICAL CHARACTERISTICS

Screw	-
Recommended torque	-

APPROVALS DATA



EN 61984

Current	15 A
Voltage	500 V
Wire section	-



EN 61984

15 A
500 V



UL 1059

12 A factory / 12 A field
600 V

Torque - - -
 FILE CA02.04178 40005779 E178356

MATERIALS

Housing PA - UL 94 V0
 Screw -
 Clamp -
 Terminal Tin-plated copper alloy

COLOURS

Standard

On request



POLES

NAME

3D FILE

01	PDSV01-10,16-H	File not available for this product
02	PDSV02-10,16-H	File not available for this product