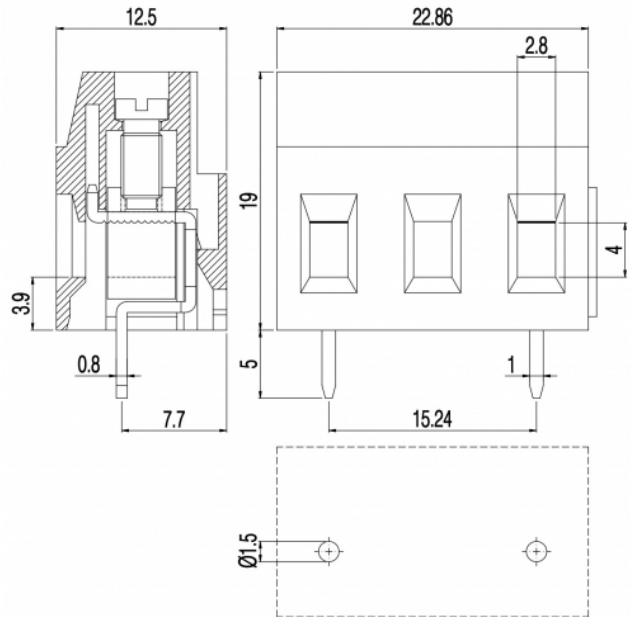
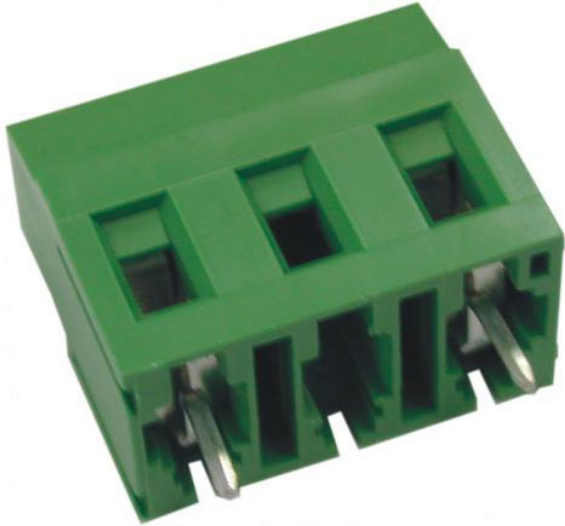


MVSP27_-15,24-V



GENERAL INFORMATION

| | |
|-----------------------|------------------------------|
| pitch | 15,24 mm |
| Height | 19 mm |
| Depth | 12.5 mm |
| Dimensional class | Media |
| Wire section | 2.5 mm ² / 14 AWG |
| Clamp opening size | 2.8 x 4 mm |
| Wire stripping | max 9.5 mm |
| Operating temperature | -40 ÷ +130 °C |

ELECTRICAL CHARACTERISTICS

| | |
|-----------------|-------|
| Current | 24 A |
| Voltage | 750 V |
| impulse voltage | 3 kV |

MECHANICAL CHARACTERISTICS

| | |
|--------------------|------------------------------|
| Screw | M3 |
| Recommended torque | 0.8÷0.88 Nm / 7.2÷7.9 in.lbs |

APPROVALS DATA



| | | | |
|--------------|---------------------|---|---------------------------|
| | EN 60998-1 | | UL 1059 |
| Current | 24 A | - | 20 A factory / 15 A field |
| Voltage | 750 V | - | 600 V |
| Wire section | 2.5 mm ² | - | 14 AWG |
| Torque | 0.8 Nm | - | 4.5 Lb-in |
| FILE | CA02.00599 | - | E178356 |

MATERIALS

| | |
|---------|----------------------------|
| Housing | PA - UL 94 V0 |
| Screw | Galvanized steel |
| Clamp | Nickel-plated copper alloy |

Terminal
SCIP Number

Tin-plated copper alloy
97a4c75c-d640-453d-b7b0-7dc991b80e95

COLOURS

Standard



On request



POLES

NAME

3D FILE

| | | |
|---|-----------------|-------------------------------------|
| 1 | MVSP271-15,24-V | File not available for this product |
| 2 | MVSP272-15,24-V | File not available for this product |