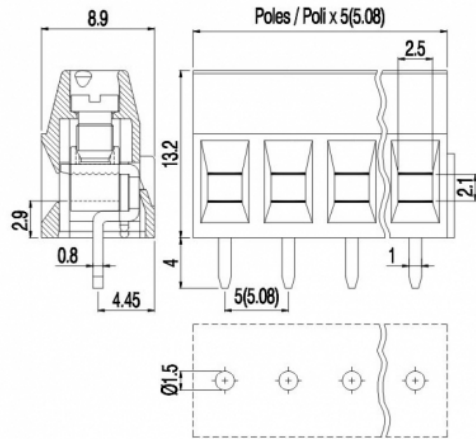


# MVS15\_-5-V



Version with antirotation pegs is available on 2 poles connections.  
Disponibile per connessioni a 2 poli versioni con perni antitorsione.

## GENERAL INFORMATION

pitch	5 mm
Height	13.2 mm
Depth	8.9 mm
Dimensional class	Bassa
Wire section	1.5 mm <sup>2</sup> / 16 AWG
Clamp opening size	2.5 x 2.1 mm
Wire stripping	max 7 mm
Operating temperature	-40 ÷ +130 °C

## ELECTRICAL CHARACTERISTICS

Current	17.5 A
Voltage	450 V
impulse voltage	2.5 kV

## MECHANICAL CHARACTERISTICS

Screw	M3
Recommended torque	0.5÷0.55 Nm / 4.5÷4.9 in.lbs

## APPROVALS DATA



	EN 60998-1		UL 1059
Current	17.5 A	-	17.5 A factory / 10 A field
Voltage	450 V	-	300 V
Wire section	1.5 mm <sup>2</sup>	-	16 AWG
Torque	0.5 Nm	-	4.5 Lb-in
FILE	CA02.00598	-	E178356

**MATERIALS**

Housing	PA - UL 94 V0
Screw	Galvanized steel
Clamp	Nickel-plated copper alloy
Terminal	Tin-plated copper alloy
SCIP Number	713ad43e-8dff-4607-9cfa-843d4a730153

**COLOURS**

Standard



On request



**POLES**

**NAME**

**3D FILE**

2	MVS152-5-V	File available
3	MVS153-5-V	File available
4	MVS154-5-V	File not available for this product
5	MVS155-5-V	File not available for this product
6	MVS156-5-V	File not available for this product
7	MVS157-5-V	File not available for this product
8	MVS158-5-V	File not available for this product
9	MVS159-5-V	File not available for this product
10	MVS1510-5-V	File not available for this product
11	MVS1511-5-V	File not available for this product
12	MVS1512-5-V	File not available for this product