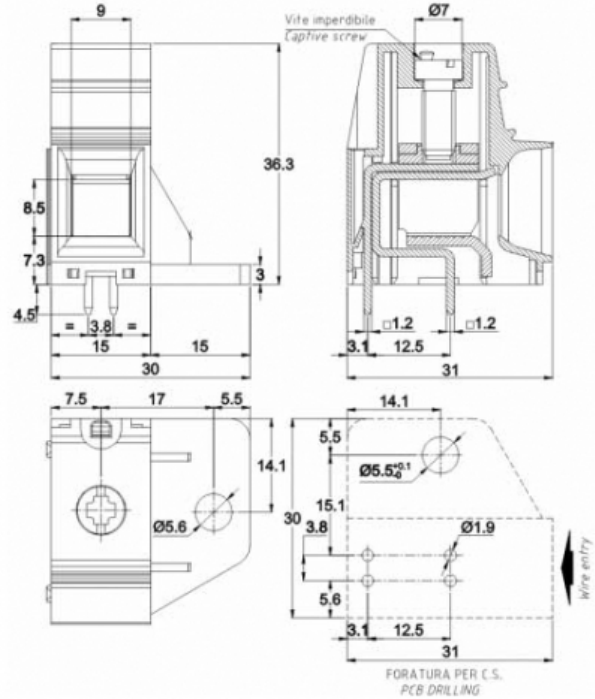


MVP35_-15-V-KD



GENERAL INFORMATION

pitch	15 mm
Height	36.3 mm
Depth	31 mm
Dimensional class	Alta
Wire section	35 mm ² / 2 AWG
Clamp opening size	9 x 8.2 mm
Wire stripping	max 19 mm
Operating temperature	-40 ÷ +130 °C

ELECTRICAL CHARACTERISTICS

Current	125 A
Voltage	1000 V
impulse voltage	3.5 kV

MECHANICAL CHARACTERISTICS

Screw	M5
Recommended torque	3÷3.10 Nm / 27÷29.7 in.lbs

APPROVALS DATA



			UL 1059
Current	-	-	125 A factory / 125 A field
Voltage	-	-	600 V
Wire section	-	-	1 AWG
Torque	-	-	27 Lb-in
FILE	-	-	E178356

MATERIALS

Housing	PA - UL 94 V0
Screw	Galvanized steel
Clamp	Nickel-plated copper alloy
Terminal	Tin-plated copper alloy

COLOURS

Standard

On request



POLES	NAME	3D FILE
1	MVP351-15-V-KD	File available