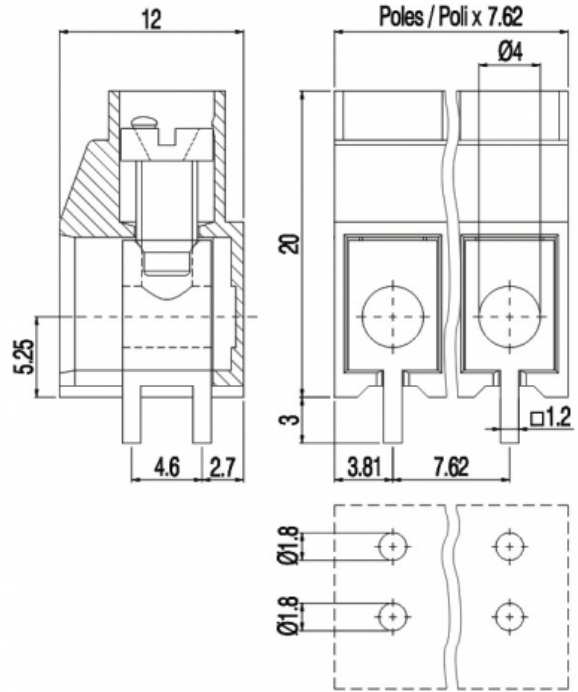
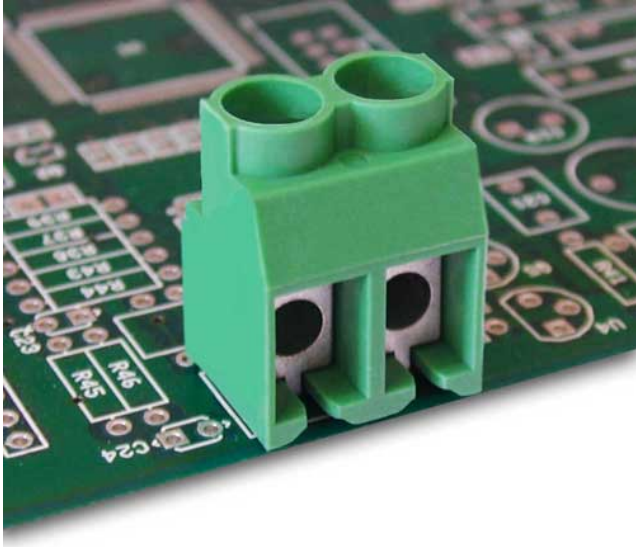


MVK47_-7,62-V-L



GENERAL INFORMATION

pitch	7,62 mm
Height	20 mm
Depth	12 mm
Dimensional class	Alta
Wire section	6.0 mm ² / 10 AWG
Clamp opening size	-
Wire stripping	max 11 mm
Operating temperature	-40 ÷ +130 °C

ELECTRICAL CHARACTERISTICS

Current	41 A
Voltage	750 V
impulse voltage	3 kV

MECHANICAL CHARACTERISTICS

Screw	M4
Recommended torque	1÷1.1 Nm / 9÷9.9 in.lbs

APPROVALS DATA



	EN 60998-1		UL 1059
Current	41 A	-	35 A factory / 30 A field
Voltage	750 V	-	300 V
Wire section	6 mm ²	-	20 AWG
Torque	1.2 Nm	-	9 Lb-in
FILE	CA02.00598	-	E178356

MATERIALS

Housing	PA - UL 94 V0
Screw	Galvanized steel
Clamp	Tin-plated copper alloy
Terminal	-
SCIP Number	09c52630-8662-43b3-b1d0-57f67dae5c51

COLOURS

Standard



On request



POLES

NAME

3D FILE

1	MVK471-7,62-V-L	File not available for this product
2	MVK472-7,62-V-L	File available
3	MVK473-7,62-V-L	File not available for this product